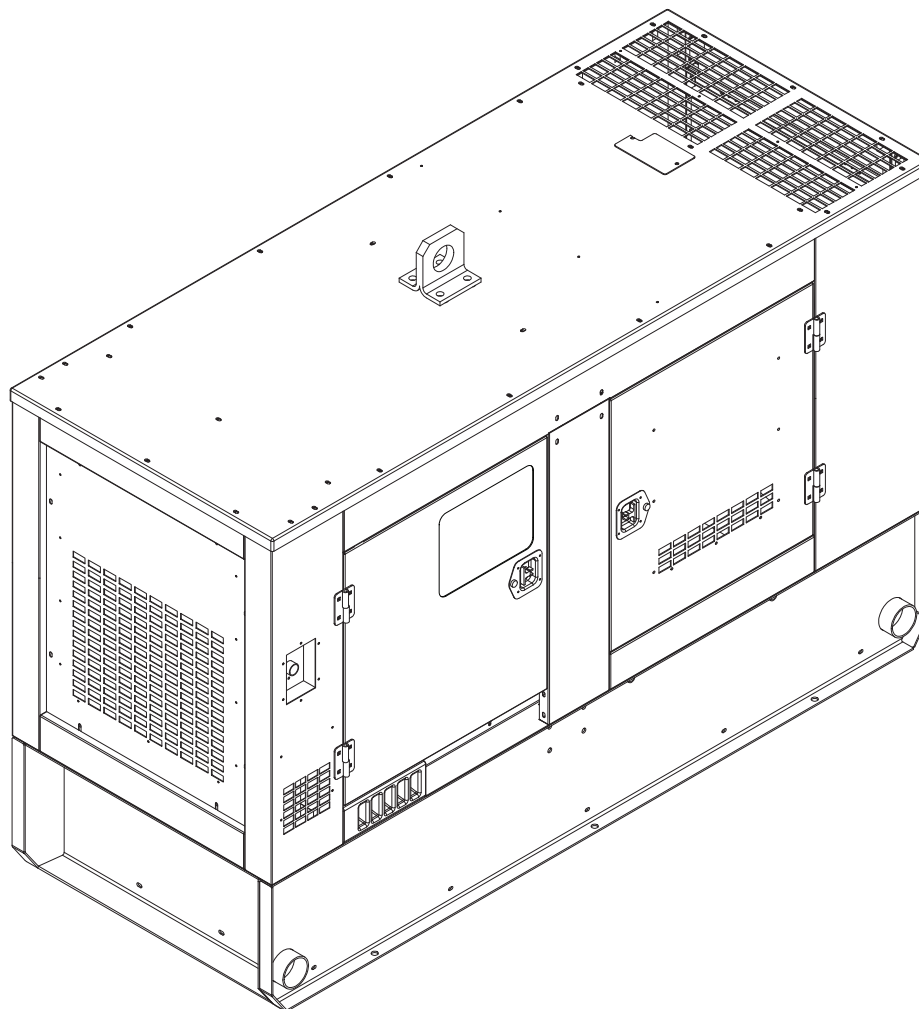


**GENERAC**<sup>®</sup>

**MOBILE  
PRODUCTS**

**DIESEL GENERATOR  
MMG75 • MMG75CAN  
MMG75CAN6 (V-FLEX)**



**PARTS MANUAL**

## INTRODUCTION

Before servicing this machine, make sure the engine start switch is turned to “OFF/O”, the circuit breakers are open (“OFF/O”), the emergency stop switch is closed (pushed in), and the negative (-) terminal on battery is disconnected. Attach a “DO NOT START” sign to the control panel. This will notify everyone that the unit is being serviced and will reduce the chance of someone inadvertently trying to start the unit. If the unit is connected to a remote start or transfer switch, make sure the remote switch is also off and tagged.

### **▲ WARNING**

**Before operating or servicing this equipment, read and understand the Generac Operating Manual which was included with the unit when shipped from the factory. Failure to do so increases the risk of injury to yourself or others.**

**Generac Mobile Products, LLC  
215 Power Drive • Berlin, WI 54923  
U.S.A.  
Phone: 920-361-4442  
FAX: 920-361-4416  
Toll Free: 1-800-926-9768  
www.generacmobile.com**

**For technical or parts QUESTIONS, please contact the Generac Mobile Products, LLC Customer Support or Technical Support team at 1-800-926-9768. Please have your serial number available.**

**To ORDER SERVICE PARTS, please contact the dealer from which you purchased the unit, or call Generac Mobile Products, LLC to locate a dealer in your area.**

Engine Make: \_\_\_\_\_  
Engine Serial Number: \_\_\_\_\_  
Engine Model Number: \_\_\_\_\_  
Generator Make: \_\_\_\_\_  
Generator Model Number: \_\_\_\_\_  
Generator Serial Number: \_\_\_\_\_  
Unit Model Number: \_\_\_\_\_  
Unit Serial Number: \_\_\_\_\_

### **▲ WARNING**

**CALIFORNIA PROPOSITION 65 WARNING:  
Diesel engine exhaust and some of its constituents are known to the state of California to cause cancer, birth defects and other reproductive harm.**

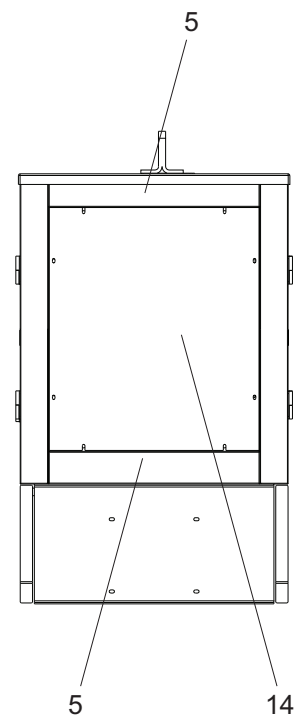
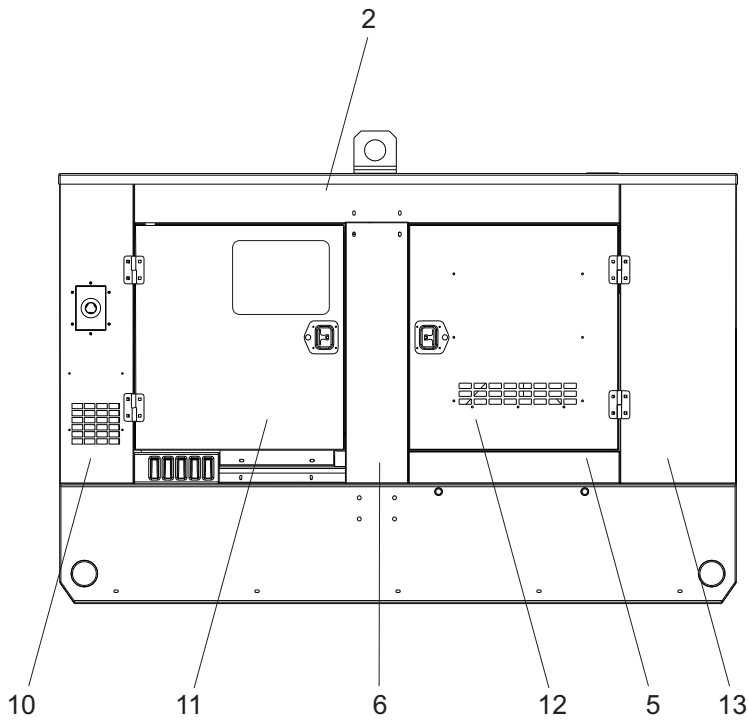
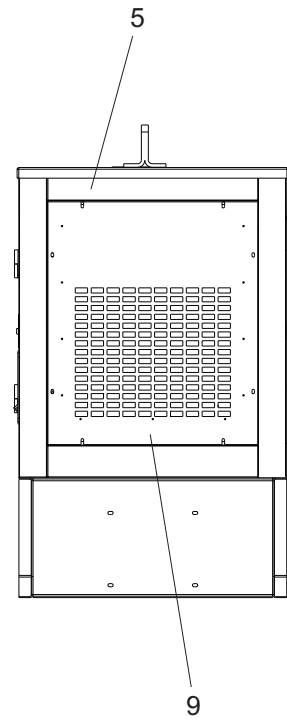
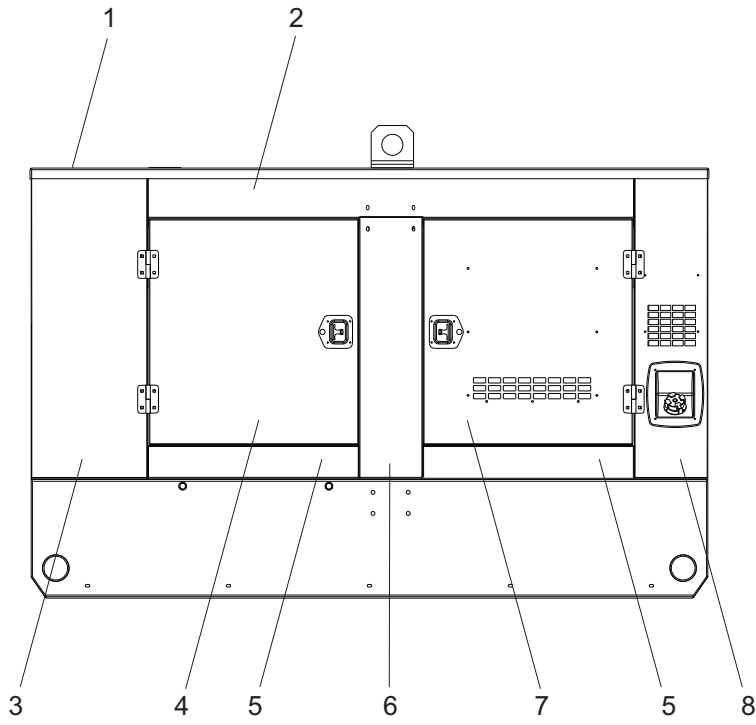
### **▲ WARNING**

**CALIFORNIA PROPOSITION 65 WARNING:  
This product contains or emits chemicals known to the state of California to cause cancer, birth defects, and other reproductive harm.**

# TABLE OF CONTENTS

	Page
INTRODUCTION .....	2
ENCLOSURE COMPONENTS .....	4
UNIT DECALS - LEFT SIDE .....	6
UNIT DECALS - RIGHT SIDE .....	7
UNIT DECALS - LEFT SIDE - MMG75CAN, MMG75CAN6 .....	8
UNIT DECALS - RIGHT SIDE - MMG75CAN, MMG75CAN6 .....	9
LEFT FRONT DOOR ASSEMBLY .....	10
LEFT REAR DOOR ASSEMBLY .....	12
RIGHT FRONT DOOR ASSEMBLY .....	14
CONTROL DOOR ASSEMBLY .....	16
CONTROL DOOR ASSEMBLY .....	18
ROOF ASSEMBLY .....	20
FRONT PANEL ASSEMBLY .....	22
REAR PANEL ASSEMBLY .....	24
END/SIDE PANEL ASSEMBLY .....	26
TOP AND CENTER SIDE PANEL ASSEMBLIES .....	28
LEFT REAR CORNER ASSEMBLY .....	30
RIGHT REAR CORNER ASSEMBLY .....	32
LEFT FRONT CORNER ASSEMBLY .....	34
RIGHT FRONT CORNER ASSEMBLY .....	36
CONTROL BOX ASSEMBLY (1 OF 2) .....	38
CONTROL BOX ASSEMBLY (2 OF 2) .....	40
CONTROL PANEL ASSEMBLY .....	42
CIRCUIT BREAKER ASSEMBLY .....	44
LUG BOX ASSEMBLY .....	46
LUG PLATE ASSEMBLY .....	48
LUG BOX DOOR ASSEMBLY .....	50
AIR FILTER ASSEMBLY .....	52
EXHAUST SYSTEM ASSEMBLY .....	54
COOLING SYSTEM ASSEMBLY .....	56
ENGINE TO SKID ASSEMBLY .....	58
ENGINE ASSEMBLY .....	60
ENGINE MOUNT ASSEMBLY .....	62
HOTSTART ASSEMBLY .....	64
CLUTCHED FAN ASSEMBLY - MMG75CAN, MMG75CAN6 .....	66
GENERATOR ASSEMBLY .....	68
GENERATOR BOX ASSEMBLY .....	70
GENERATOR BOX ASSEMBLY OPTION - MMG75, MMG75CAN .....	72
SKID & LIFT STRUCTURE ASSEMBLY .....	74
FUEL TANK ASSEMBLY - MMG75 .....	76
FUEL TANK ASSEMBLY - MMG75CAN, MMG75CAN6 .....	78
TRAILER ASSEMBLY - SINGLE AXLE .....	80
TRAILER ASSEMBLY - TANDEM AXLE .....	82
AXLE ASSEMBLY - SINGLE .....	84
AXLE ASSEMBLY - TANDEM .....	86
TRAILER BRAKE LINES - SINGLE AXLE .....	88
TRAILER BRAKE LINES - TANDEM AXLE .....	90
TRAILER HITCH OPTIONS .....	92
RECOMMENDED SPARE PARTS LIST .....	94

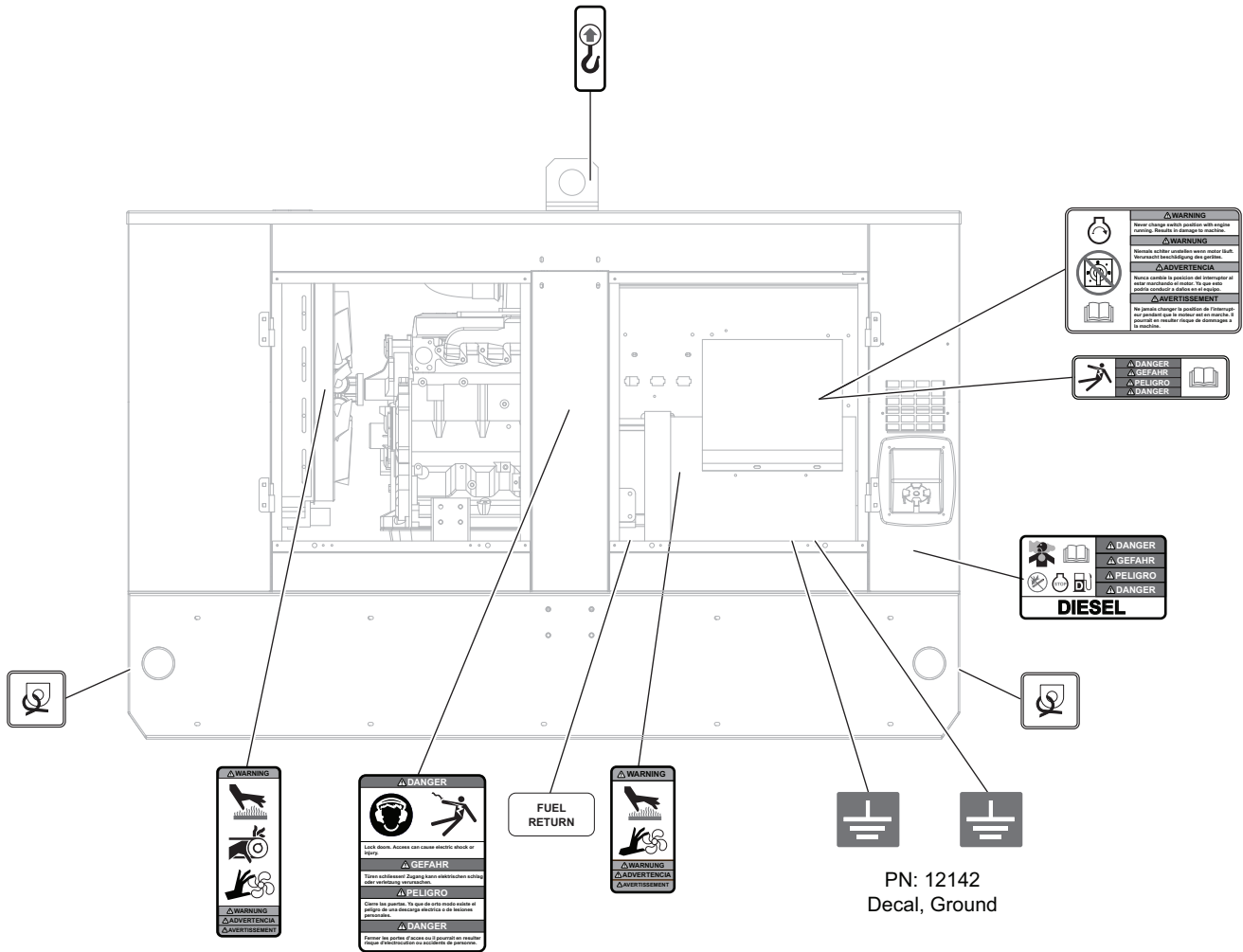
# ENCLOSURE COMPONENTS



## ENCLOSURE COMPONENTS

ITEM	PART NO.	QTY	DESCRIPTION	NOTES
1	<a href="#">Page 20</a>	1	Roof assembly	
2	<a href="#">Page 28</a>	2	Top side panel assembly	
3	<a href="#">Page 34</a>	1	Left front side panel assembly	
4	<a href="#">Page 10</a>	1	Left front door assembly	
5	<a href="#">Page 26</a>	7	End/side panel assembly	
6	<a href="#">Page 28</a>	2	Center side panel assembly	
7	<a href="#">Page 12</a>	1	Left rear door assembly	
8	<a href="#">Page 30</a>	1	Left rear side panel assembly	
9	<a href="#">Page 24</a>	1	Rear panel assembly	
10	<a href="#">Page 32</a>	1	Right rear side panel assembly	
11	<a href="#">Page 16</a>	1	Control door assembly	
12	<a href="#">Page 14</a>	1	Right front door assembly	
13	<a href="#">Page 36</a>	1	Right front side panel assembly	
14	<a href="#">Page 22</a>	1	Front panel assembly	

# UNIT DECALS - LEFT SIDE



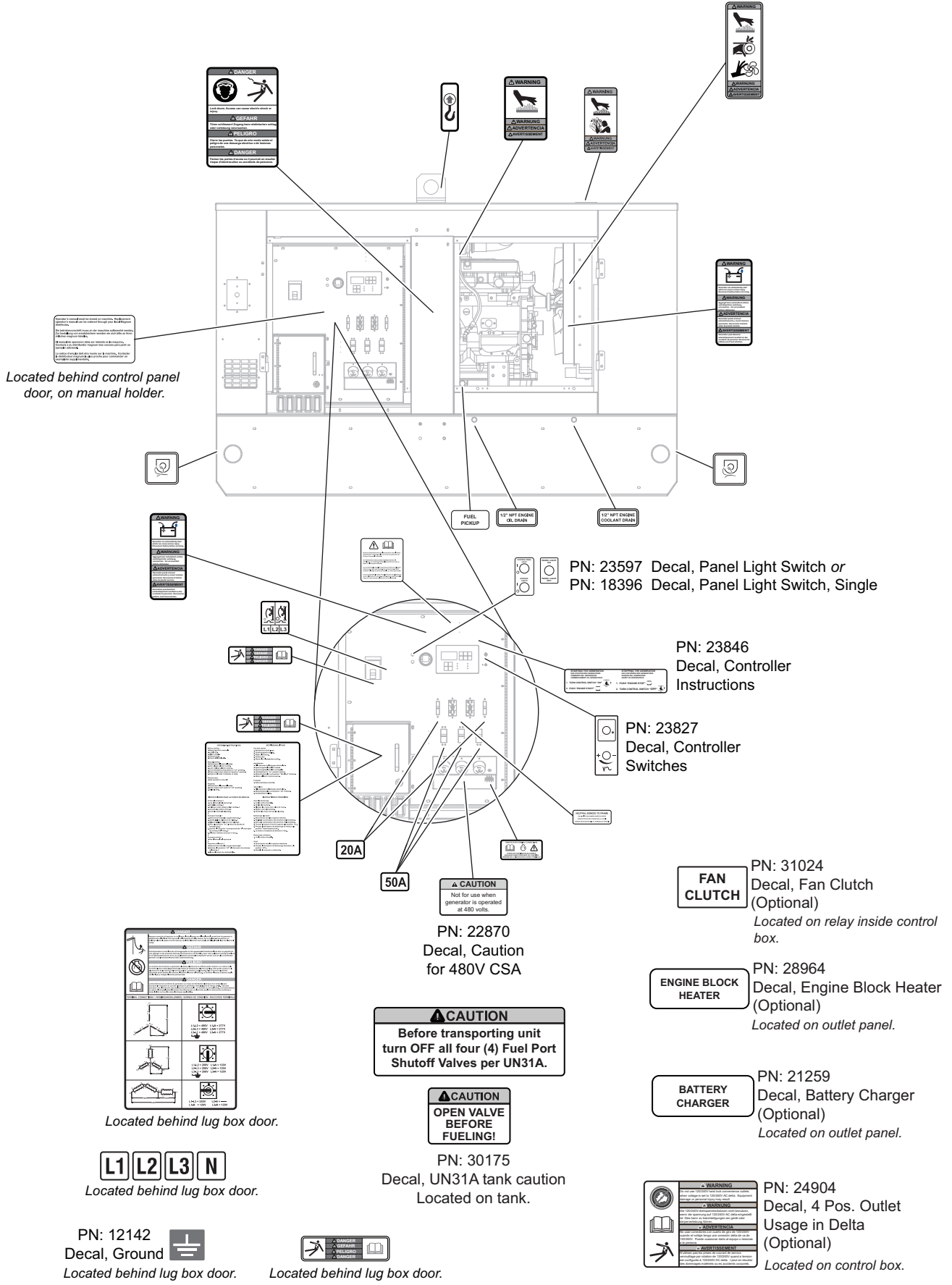
TOWING INSTRUCTIONS	ABSCHLEPPINSTRUKTIONEN	INSTRUCCIONES DE REMOLQUE	INSTRUCTIONS DE REMORQUAGE
1. Read operator's manual. 2. Use hitch rated for trailer's "gross vehicle weight rating". 3. Securely attach trailer to tow vehicle. 4. Attach safety chains using a cross pattern. 5. Attach breakdown chain to vehicle. 6. Check trailer lights.	1. Betriebsvorschrift lesen. 2. Anhängervorrichtung verwenden, die der Gesamtbetriebsgewichtsklasse entspricht. 3. Anhänger sicher am Zugfahrzeug befestigen. 4. Sicherheitsketten kreuzweise anbringen. 5. Abreisskette am Fahrzeug anbringen. 6. Anhängerleuchten prüfen.	1. Lea el manual del operario. 2. Utilice un acople correctamente clasificado para la "clase de peso bruto" del vehículo de remolque. 3. Asegurese de acoplar correctamente el remolque al vehículo de remolque. 4. Fije en cruz las cadenas de seguridad. 5. Fije en el vehículo de remolque la cadena de desprendimiento. 6. Controle las luces del remolque.	1. Lire la notice d'emploi. 2. Utiliser un crochet d'attelage conforme au débit nominal du poids brut de véhicule du véhicule tracteur. 3. Attacher la remorque fermement au véhicule tracteur. 4. Attacher les chaînes de sureté en utilisant une méthode croisée. 5. Attacher la chaîne de remorquage au véhicule. 6. Vérifier les lampes de la remorque.

Located on tongue of trailered units.

01491

**Note:** All safety and operating decals are located on decal sheet 23599, unless otherwise noted.

# UNIT DECALS - RIGHT SIDE



Located behind control panel door, on manual holder.

Located behind control panel door, on manual holder.

PN: 23597 Decal, Panel Light Switch or  
PN: 18396 Decal, Panel Light Switch, Single

PN: 23846  
Decal, Controller  
Instructions

PN: 23827  
Decal, Controller  
Switches

PN: 22870  
Decal, Caution  
for 480V CSA

PN: 31024  
**FAN CLUTCH**  
Decal, Fan Clutch  
(Optional)  
Located on relay inside control  
box.

PN: 28964  
**ENGINE BLOCK HEATER**  
Decal, Engine Block Heater  
(Optional)  
Located on outlet panel.

PN: 21259  
**BATTERY CHARGER**  
Decal, Battery Charger  
(Optional)  
Located on outlet panel.

Located behind lug box door.

**L1 L2 L3 N**  
Located behind lug box door.

**CAUTION**  
Before transporting unit  
turn OFF all four (4) Fuel Port  
Shutoff Valves per UN31A.

**CAUTION**  
OPEN VALVE  
BEFORE  
FUELING!

PN: 30175  
Decal, UN31A tank caution  
Located on tank.

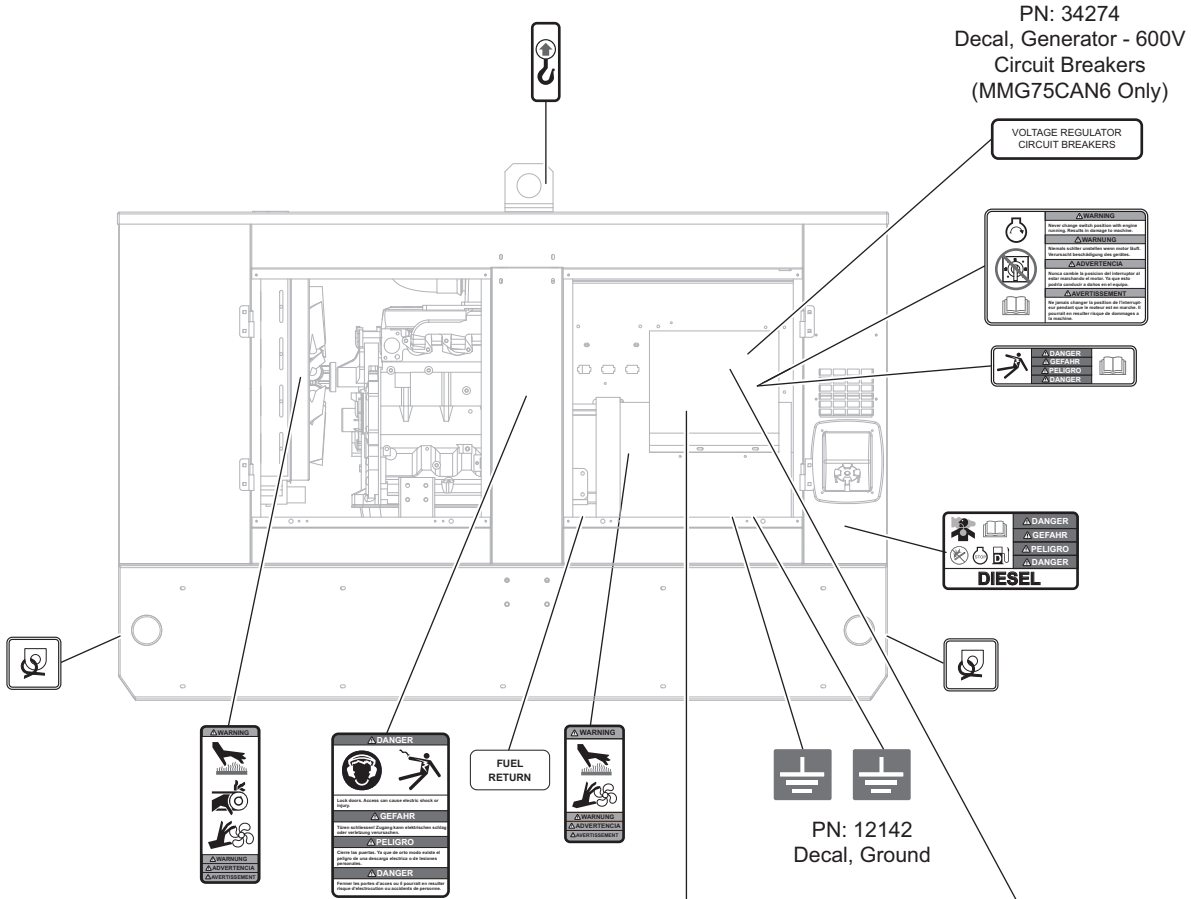
PN: 24904  
**WARNING**  
Decal, 4 Pos. Outlet  
Usage in Delta  
(Optional)  
Located on control box.

PN: 12142  
Decal, Ground  
Located behind lug box door.

Located behind lug box door.

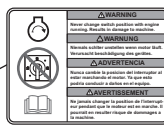
**Note:** All safety and operating decals are located on decal sheet 23599, unless otherwise noted.

# UNIT DECALS - LEFT SIDE - MMG75CAN, MMG75CAN6



PN: 34274  
Decal, Generator - 600V  
Circuit Breakers  
(MMG75CAN6 Only)

VOLTAGE REGULATOR  
CIRCUIT BREAKERS



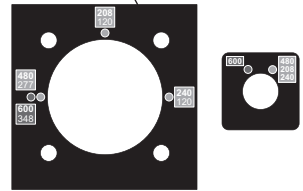
FUEL  
RETURN



PN: 12142  
Decal, Ground

TUNING INSTRUCTIONS	ABSCHLEPPINSTRUKTIONEN	INSTRUCTIONS DE REMORQUAGE	INSTRUCCIONES DE REMOLQUE
<ul style="list-style-type: none"> <li>1. Read and understand all instructions.</li> <li>2. Read and understand all instructions.</li> <li>3. Read and understand all instructions.</li> <li>4. Read and understand all instructions.</li> <li>5. Read and understand all instructions.</li> </ul>	<ul style="list-style-type: none"> <li>1. Lesen und verstehen Sie alle Anweisungen.</li> <li>2. Lesen und verstehen Sie alle Anweisungen.</li> <li>3. Lesen und verstehen Sie alle Anweisungen.</li> <li>4. Lesen und verstehen Sie alle Anweisungen.</li> <li>5. Lesen und verstehen Sie alle Anweisungen.</li> </ul>	<ul style="list-style-type: none"> <li>1. Lire et comprendre toutes les instructions.</li> <li>2. Lire et comprendre toutes les instructions.</li> <li>3. Lire et comprendre toutes les instructions.</li> <li>4. Lire et comprendre toutes les instructions.</li> <li>5. Lire et comprendre toutes les instructions.</li> </ul>	<ul style="list-style-type: none"> <li>1. Leer y comprender todas las instrucciones.</li> <li>2. Leer y comprender todas las instrucciones.</li> <li>3. Leer y comprender todas las instrucciones.</li> <li>4. Leer y comprender todas las instrucciones.</li> <li>5. Leer y comprender todas las instrucciones.</li> </ul>

Located on tongue of trailered units.



PN: 34274  
Decal, Voltage Selector  
Switch - 600V  
(MMG75CAN6 Only)

Voltage Selections			Main Voltage Selector Switch	600V Selector Switch
L-L	L-N	Configuration		
600	348	3 φ		
480	277	3 φ		
208	120	3 φ		
240	120	1 φ		
Optional 4-Position Switch				
240	120	3 φ		

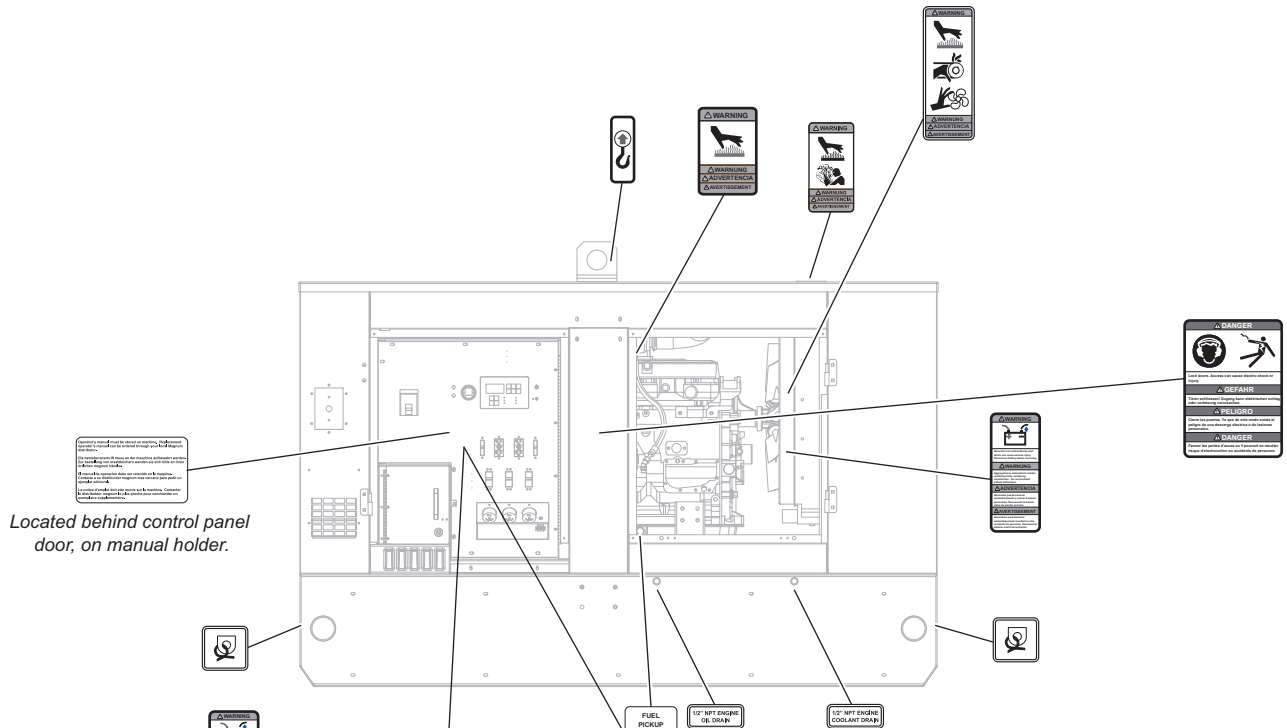
PN: 33787  
Decal, Generator - Voltage Configuration  
(MMG75CAN6 Only)

01584

**Note:** All safety and operating decals are located on decal sheet 23599, unless otherwise noted.

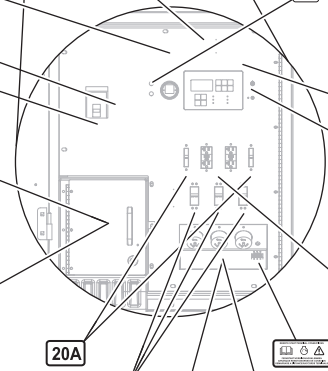


# UNIT DECALS - RIGHT SIDE - MMG75CAN, MMG75CAN6

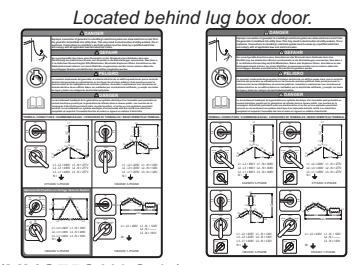


Located behind control panel door, on manual holder.

- PN: 23597 Decal, Panel Light Switch or  
PN: 18396 Decal, Panel Light Switch, Single



- PN: 23846 Decal, Controller Instructions
- PN: 23827 Decal, Controller Switches



Located behind lug box door.

- (MMG75CAN Only) PN: 34273 Decal, Terminal Connections - 600V (MMG75CAN6 Only)

- PN: 22870 Decal, Caution for 480V CSA (MMG75CAN Only)
- PN: 34275 Decal, Caution - 120 & 240 Outlets: 600V (MMG75CAN6 Only)

- FAN CLUTCH  
PN: 31024 Decal, Fan Clutch (Optional)  
Located on relay inside control box.

- ENGINE BLOCK HEATER  
PN: 28964 Decal, Engine Block Heater (Optional)  
Located on outlet panel.

- BATTERY CHARGER  
PN: 21259 Decal, Battery Charger (Optional)  
Located on outlet panel.

- L1 L2 L3 N  
Located behind lug box door.

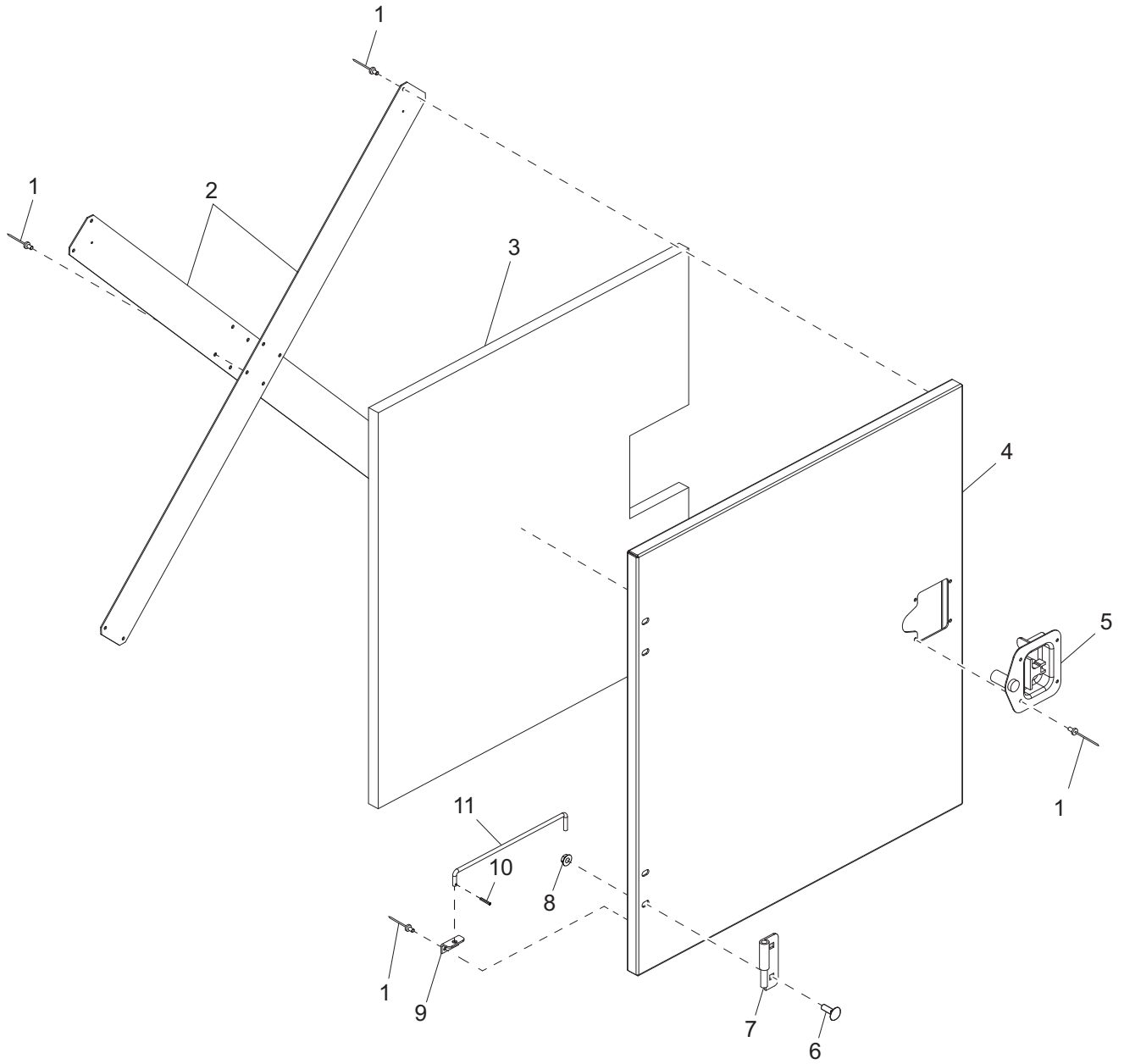
- PN: 12142 Decal, Ground  
Located behind lug box door.
- Located behind lug box door.

- PN: 24904 Decal, 4 Pos. Outlet Usage in Delta (Optional for MMG75CAN Only)  
Located on control box.

01583

Note: All safety and operating decals are located on decal sheet 23599, unless otherwise noted.

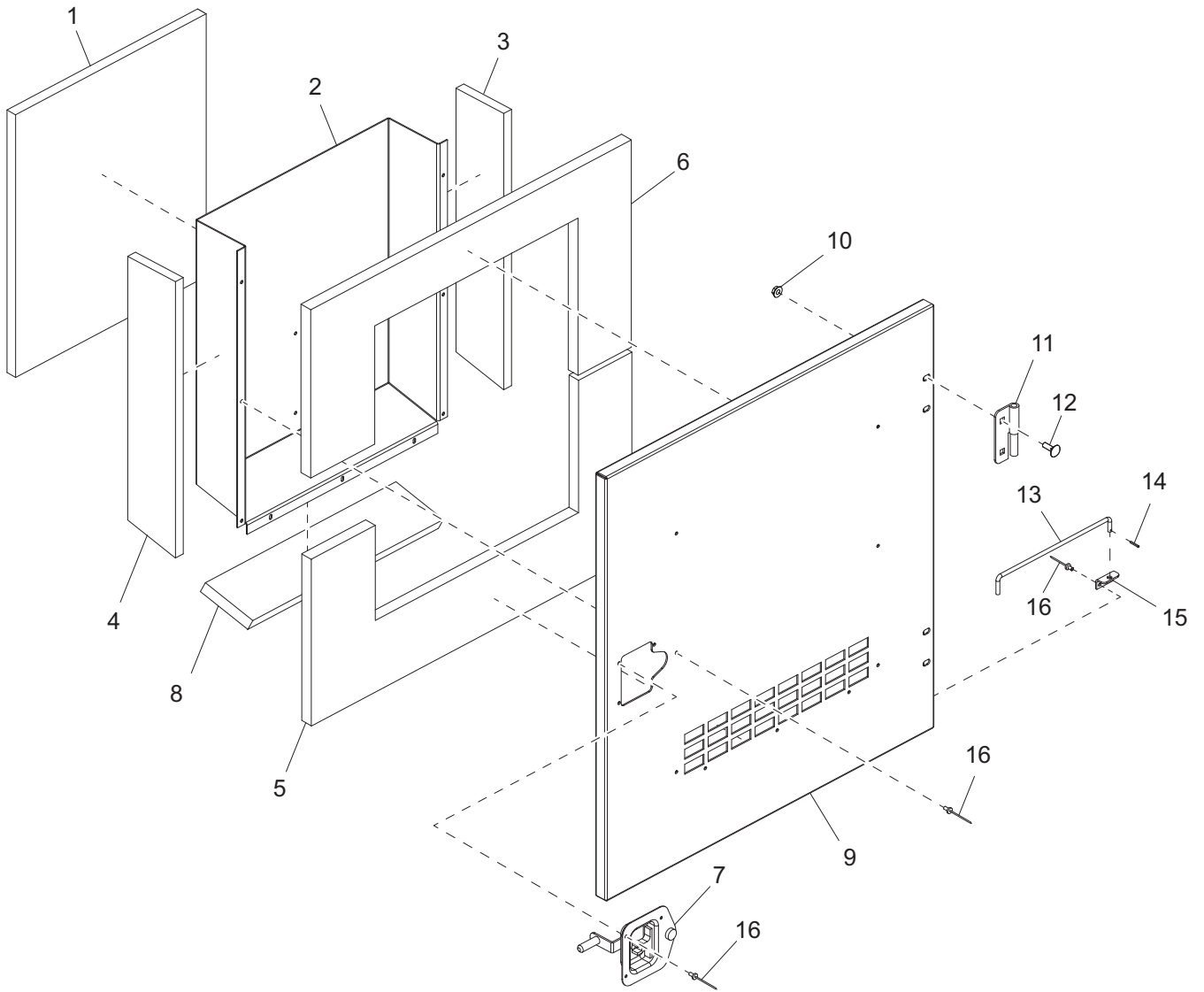
# LEFT FRONT DOOR ASSEMBLY



## LEFT FRONT DOOR ASSEMBLY

ITEM	PART NO.	QTY	DESCRIPTION	NOTES
1	60268	18	Rivet, .188 dia. x .126 to .250 grip, SS	
2	20948B	2	Brace, door	
3	20967	1	Foam, door	
4	20946W	1	Panel, door	
5	22497	1	Latch, T-handle - left cw lock	
6	61066	4	Screw, .312-18 x 1.0 carr sqr, SS	
7	18459	2	Hinge, right (male)	
8	60285	4	Nut, .312-18 sflg	
9	20916Z	1	Bracket, prop rod	
10	60048	1	Pin, roll .125 x .625	
11	18900ZC	1	Rod, door prop	
--	21226	1	Assembly, left front door	Items 1 - 11

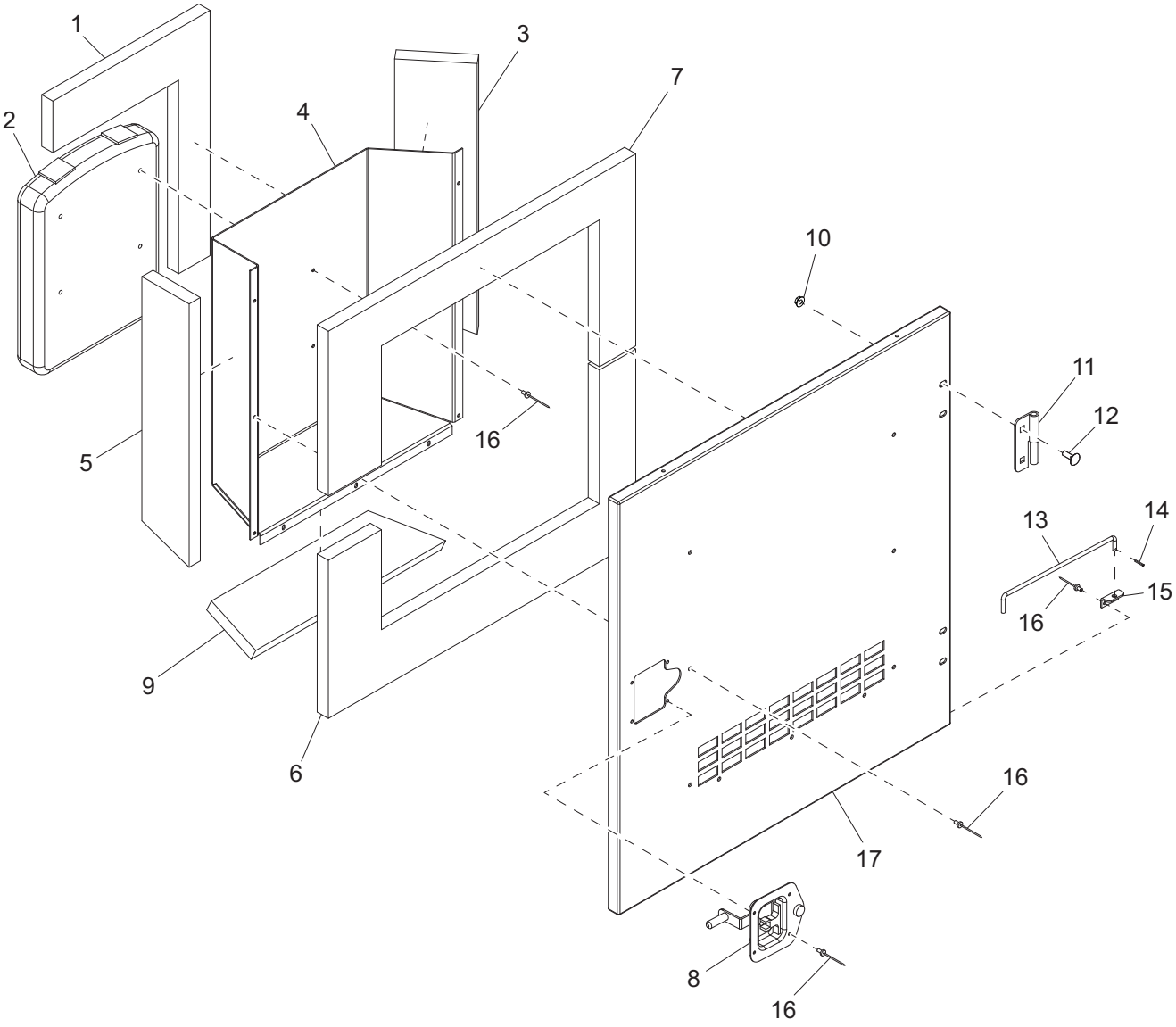
# LEFT REAR DOOR ASSEMBLY



## LEFT REAR DOOR ASSEMBLY

ITEM	PART NO.	QTY	DESCRIPTION	NOTES
1	21102	1	Foam, duct - rear	
2	21057W	1	Duct, door	
3	21122	1	Foam, duct - left	
4	21121	1	Foam, duct - right	
5	21105	1	Foam, door - bottom	
6	21104	1	Foam, door - top	
7	22498	1	Latch, T-handle - right ccw lock	
8	23344	1	Foam, duct - lower	
9	20669W	1	Panel, door	
10	60285	4	Nut, .312-18 sflg	
11	18461	2	Hinge, left (male)	
12	61066	4	Screw, .312-18 x 1.0 carr sqr, SS	
13	18900ZC	1	Rod, door prop	
14	60048	1	Pin, roll .125 x .625	
15	20916Z	1	Bracket, prop rod	
16	60268	15	Rivet, .188 dia. x .126 to .250 grip, SS	
--	20755	1	Assembly, left rear door	Items 1 - 16

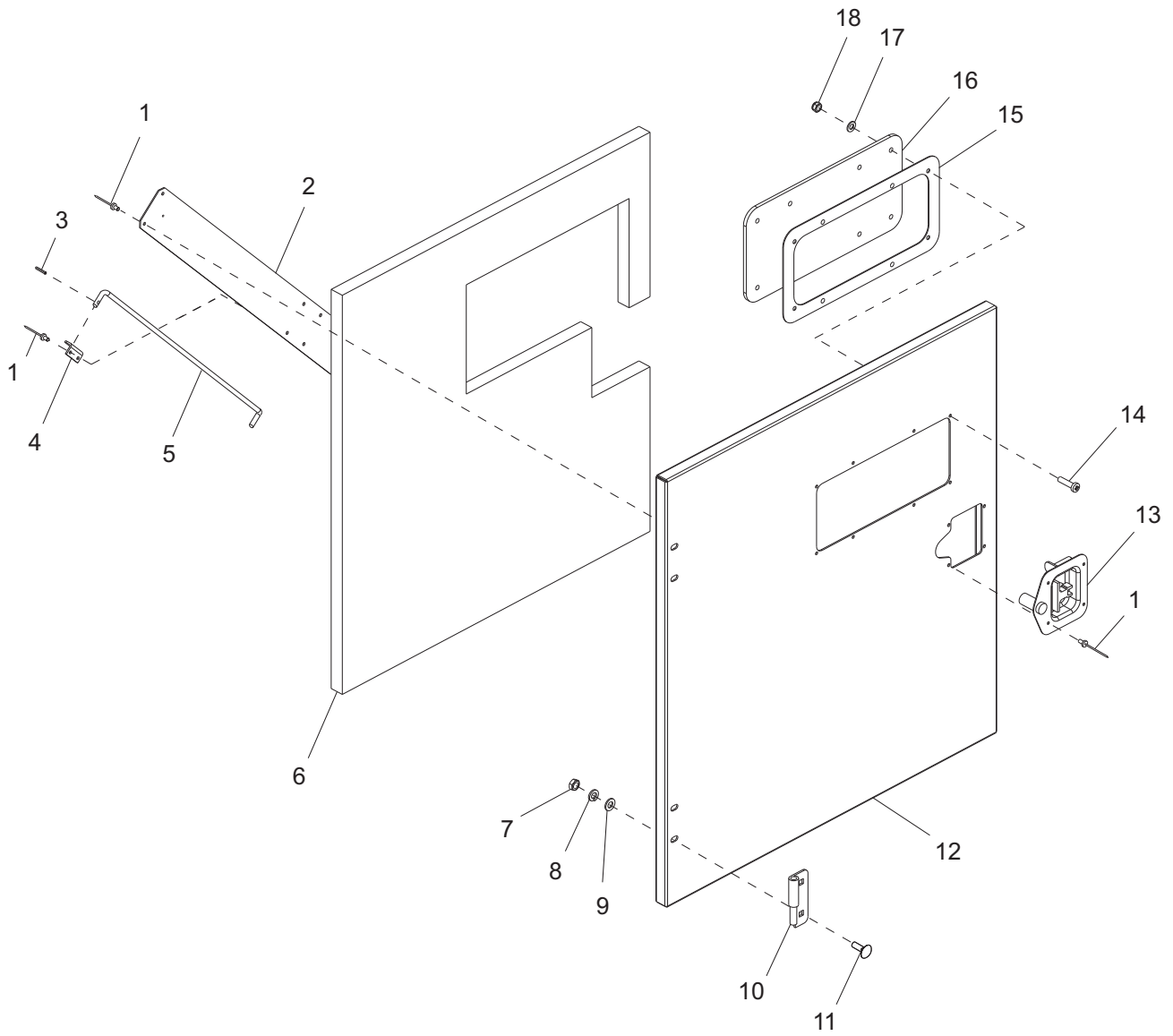
# RIGHT FRONT DOOR ASSEMBLY



## RIGHT FRONT DOOR ASSEMBLY

ITEM	PART NO.	QTY	DESCRIPTION	NOTES
1	26520	1	Foam, duct - face	
2	24540	1	Holder, manual (plastic)	
3	26518	1	Foam, duct - left	
4	26509W	1	Duct, door	
5	30225	1	Foam, duct - right	
6	21105	1	Foam, door - bottom	
7	21104	1	Foam, door - top	
8	22498	1	Latch, T-handle - right ccw lock	
9	26519	1	Foam, duct - bottom	
10	60285	4	Nut, .312-18 sflg	
11	18461	2	Hinge, left (male)	
12	61066	4	Screw, .312-18 x 1.0 carr sqr, SS	
13	18900ZC	1	Rod, door prop	
14	60048	1	Pin, roll .125x.625	
15	20916Z	1	Bracket, prop rod	
16	60268	19	Rivet, .188 dia. x .126 to .250 grip, SS	
17	20669W	1	Panel, door	
--	26508	1	Assembly, front right door	Items 1 - 17

**CONTROL DOOR ASSEMBLY**  
*Old Style (See new style on following page)*



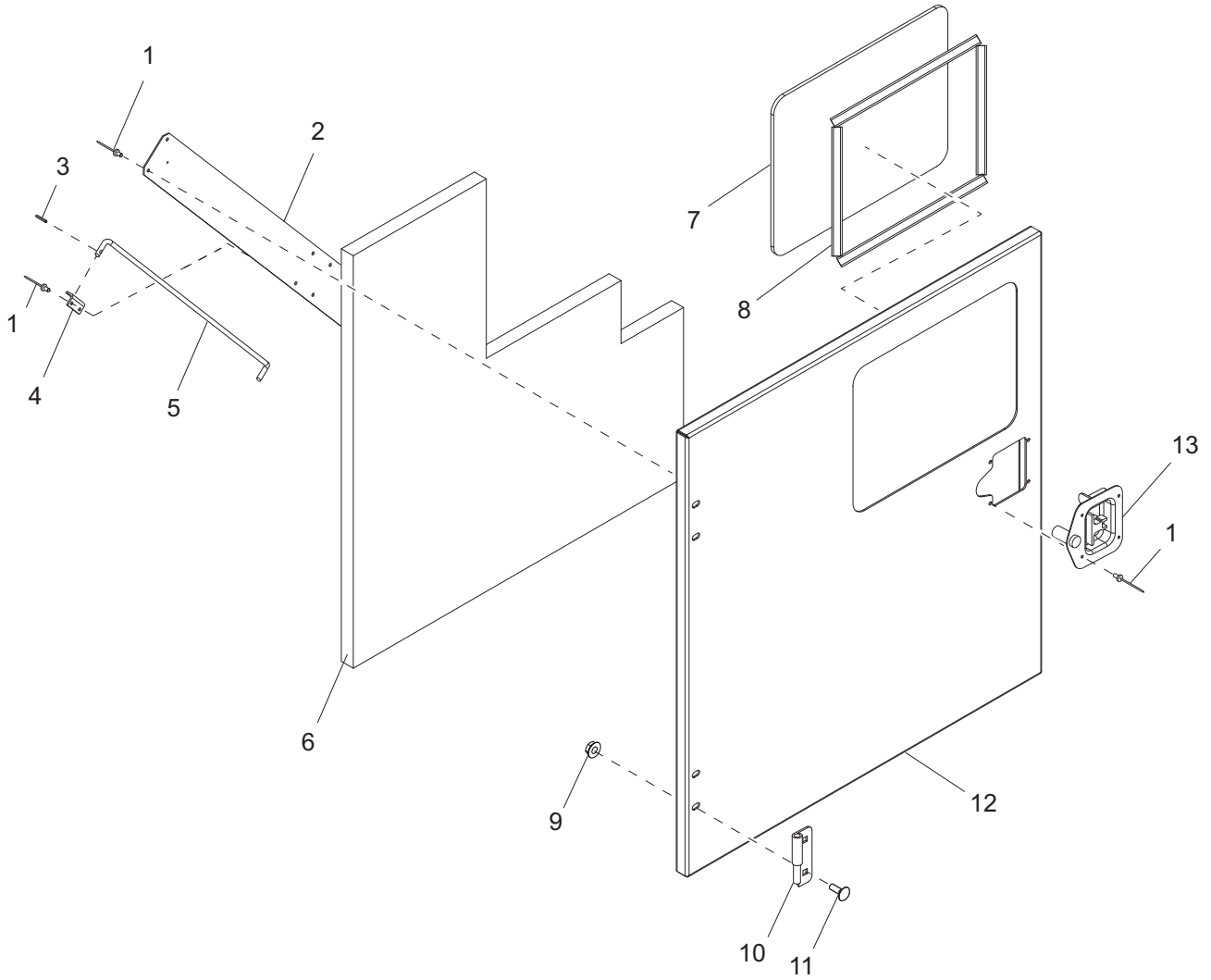


## CONTROL DOOR ASSEMBLY

*Old Style (See new style on following page)*

ITEM	PART NO.	QTY	DESCRIPTION	NOTES
1	60268	10	Rivet, .188 dia. x .126 to .250 grip, SS	
2	20948B	1	Brace, door	
3	60048	1	Pin, roll .125 x .625	
4	20916Z	1	Bracket, prop rod	
5	21146Z	1	Rod, prop - control door	
6	27541	1	Foam, control door	
7	60285	4	Nut, .312-18 hex	
8	60271	4	Washer, .312 split lock	
9	60243	4	Washer, .250 flat .735/.060	
10	18459	2	Hinge, left (male)	
11	61066	4	Screw, .312-18 x 1.0 carr sqr, SS	
12	20947W	1	Panel, control door	
13	22497	1	Latch, T-handle - left cw lock	
14	60529	8	Screw, 10-24 x .625 pan phil, SS	
15	23511	1	Gasket, control door	
16	23512	1	Window, control door	
17	60067	8	Washer, #10 flat .435/.060, SS	
18	60530	8	Nut, 10-24 nylock, SS	
--	29036	1	Assembly, control door	Items 1 - 18

**CONTROL DOOR ASSEMBLY**  
*New Style (See old style on previous page)*

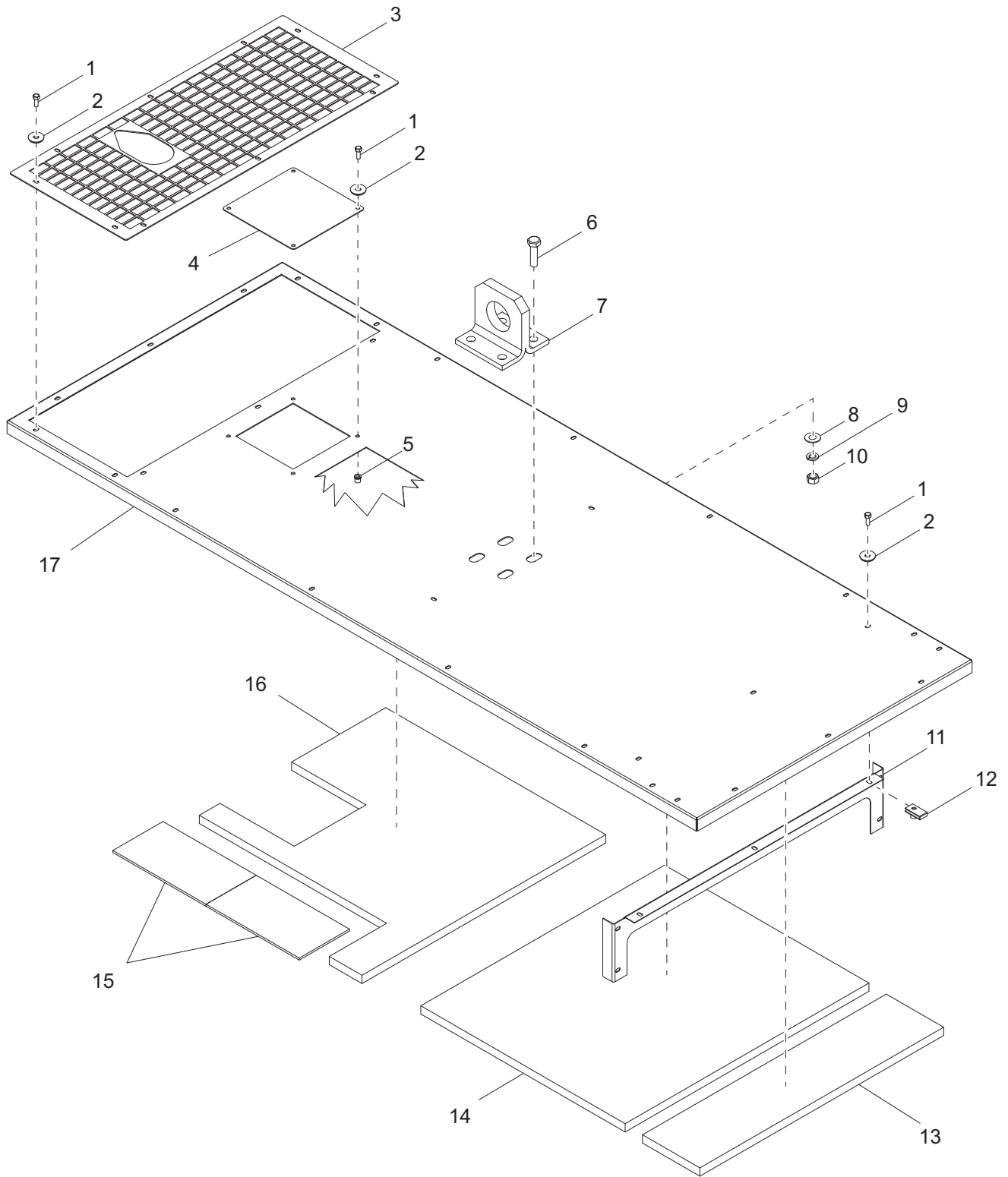


## CONTROL DOOR ASSEMBLY

*New Style (See old style on previous page)*

ITEM	PART NO.	QTY	DESCRIPTION	NOTES
1	60268	10	Rivet, .188 dia. x .126 to .250 grip, SS	
2	20948B	1	Brace, door	
3	60048	1	Pin, roll .125 x .625	
4	20916Z	1	Bracket, prop rod	
5	21146Z	1	Rod, prop- control door	
6	27541	1	Foam, control door	
7	21477	1	Window, control door	
8	50192	4.58 ft	Tape, .50 in., double sided, type VHB	
9	60285	4	Nut, .312-18 sflg	
10	18459	2	Hinge, right (male)	
11	61066	4	Screw, .312-18 x 1.0 carr sqr, SS	
12	29035W	1	Door, control	
13	22497	1	Latch, T-handle - left cw lock	
--	29036	1	Assembly, control door	Items 1 - 13

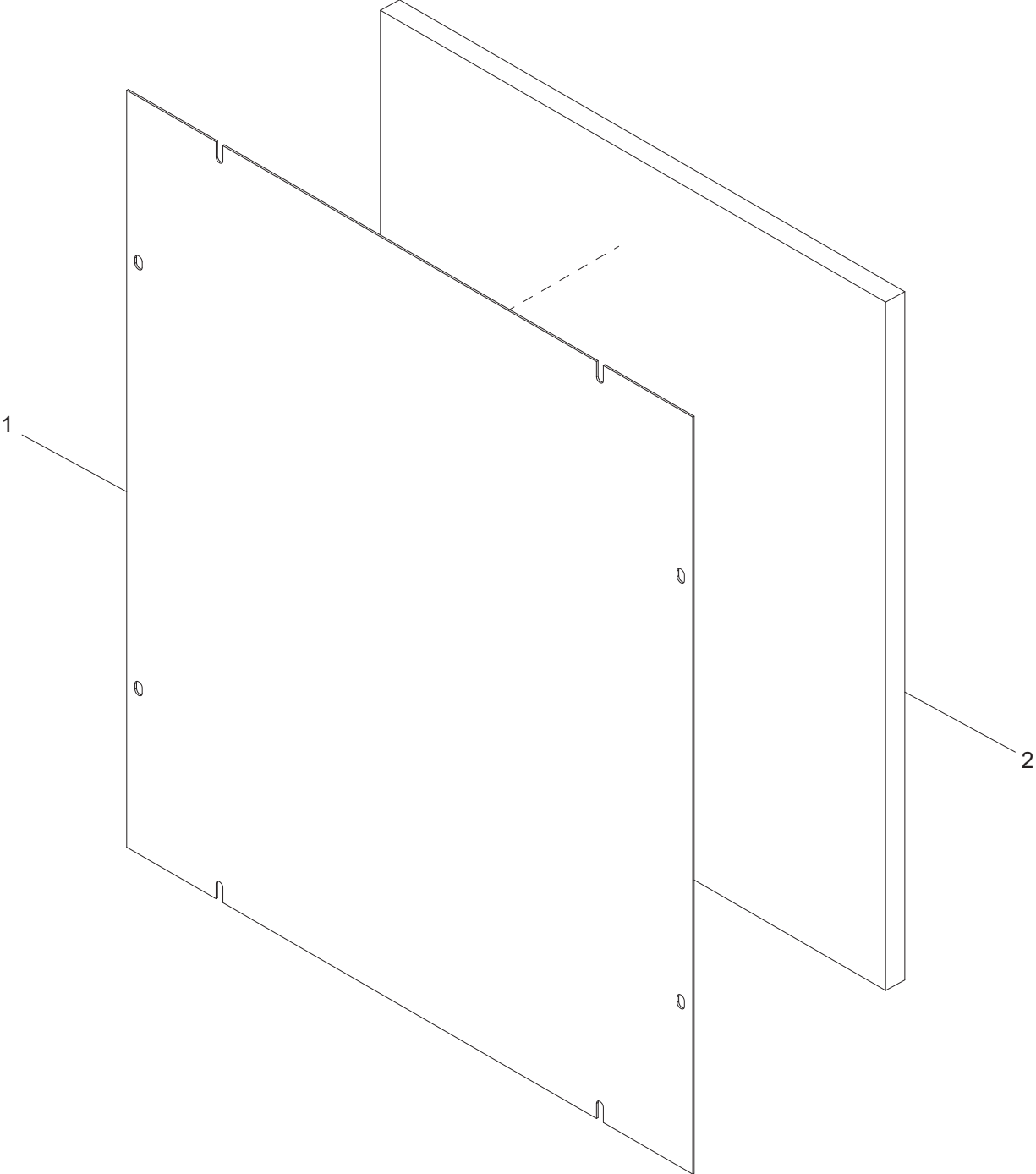
# ROOF ASSEMBLY



## ROOF ASSEMBLY

ITEM	PART NO.	QTY	DESCRIPTION	NOTES
1	60507	34	Screw, .312-18 x 1.0 std hex, SS	
2	60452	34	Washer, .313 flat 1.125/1.0 bonded rubber, SS	
3	26422B	1	Panel, roof insert	
4	25053W	1	Panel, access	
5	62133	4	Insert, threaded .312-18 splined .027-.150 grip	
6	60532	4	Screw, .750-10 x 3.0 std hex G8	
7	18053B	1	Bracket, lifting eye	
8	60527	4	Washer, .750 flat	
9	60248	4	Washer, .750 split lock	
10	60249	4	Nut, .750-10 hex, G8	
11	20749B	1	Panel, roof - baffle	
12	60505	3	Nut, .312-18 U-clip - long type	
13	20802	1	Foam, roof - mid	
14	20803	1	Foam, roof - rear	
15	23361	2	Insulation, ceramic roof	
16	26424	1	Foam, front roof	
17	26421W	1	Panel, roof	
--	26504	1	Assembly, roof	Items 1 - 17

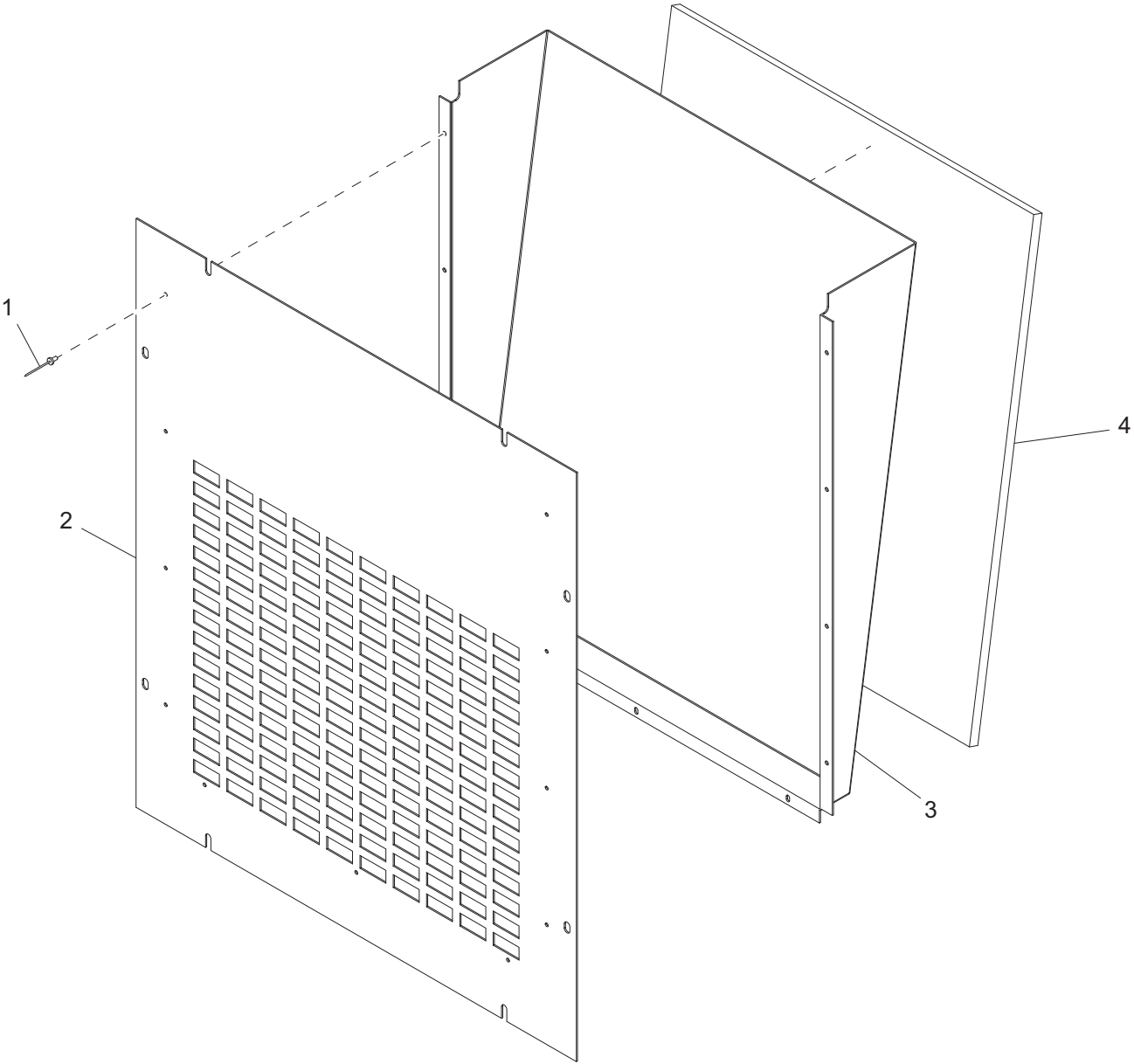
**FRONT PANEL ASSEMBLY**



## FRONT PANEL ASSEMBLY

ITEM	PART NO.	QTY	DESCRIPTION	NOTES
1	20750W	1	Panel, front	
2	20800	1	Foam, front panel	
--	20822	1	Assembly, panel front	Items 1 - 2

REAR PANEL ASSEMBLY

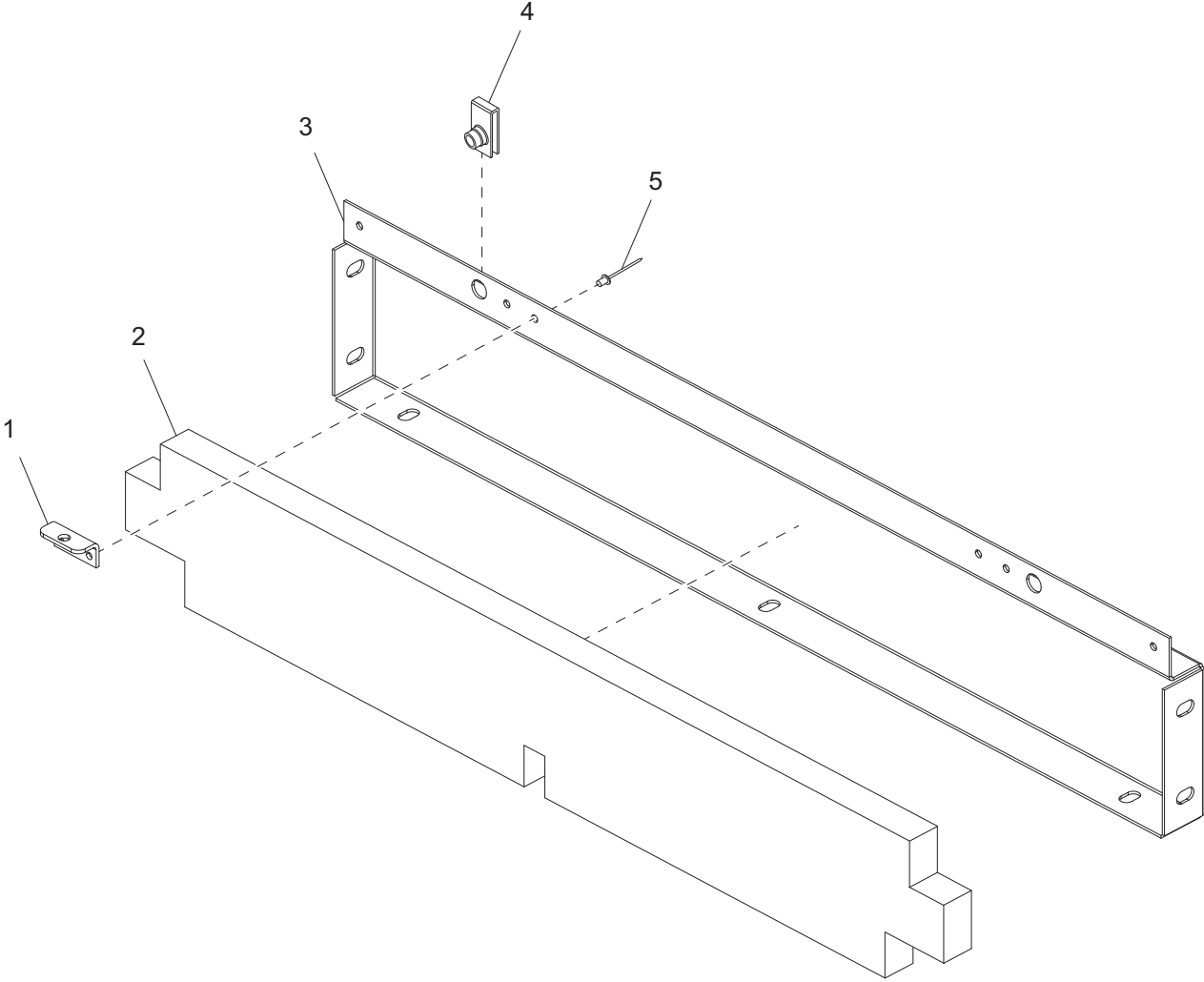




## REAR PANEL ASSEMBLY

ITEM	PART NO.	QTY	DESCRIPTION	NOTES
1	60268	11	Rivet, .188 dia. x .126 to .250 grip, SS	
2	20751W	1	Panel, rear	
3	20752W	1	Duct, rear panel	
4	20796	1	Foam, rear duct	
--	20754	1	Assembly, rear panel	Items 1 - 4

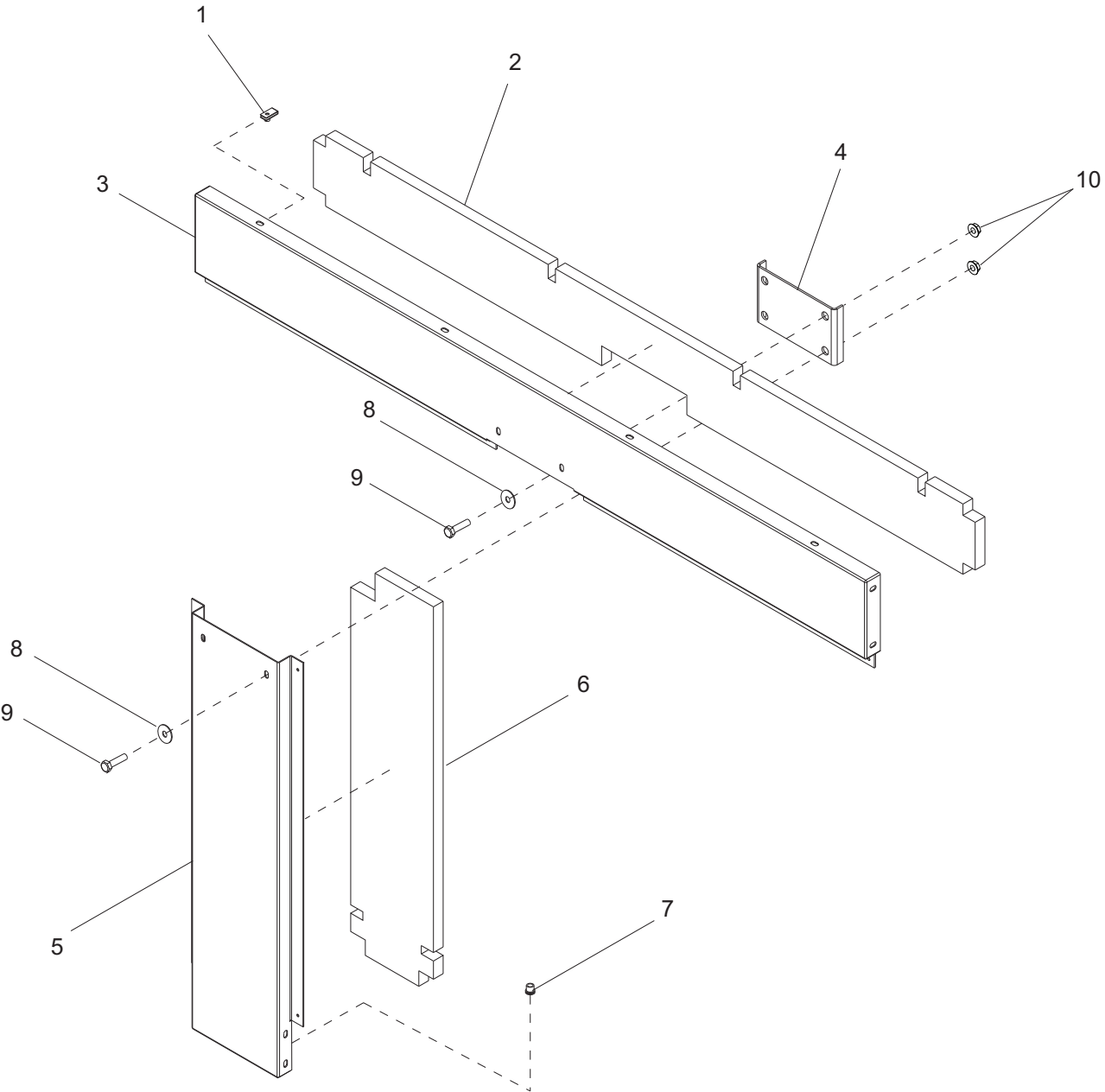
**END/SIDE PANEL ASSEMBLY**



## END/SIDE PANEL ASSEMBLY

ITEM	PART NO.	QTY	DESCRIPTION	NOTES
1	20916Z	1	Bracket, prop rod	
2	20794	1	Foam, small panel	
3	20668W	1	Panel, end	
4	60505	2	Nut, .312-18 U-clip - long type	
5	60268	6	Rivet, .188 dia. x .126 to .250 grip, SS	
--	20819	7	Assembly, panel end	Items 2 - 4

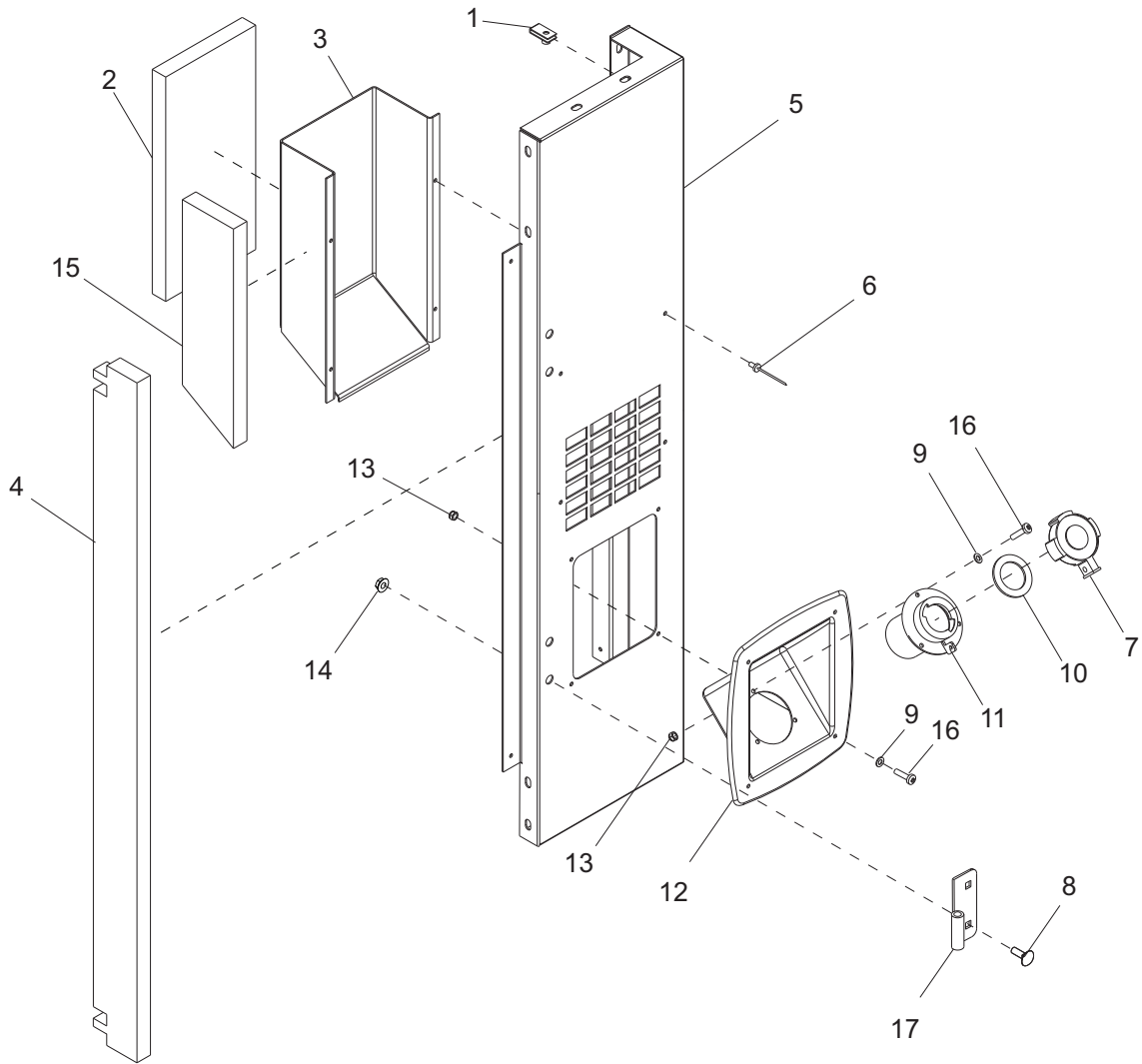
# TOP AND CENTER SIDE PANEL ASSEMBLIES



## TOP AND CENTER SIDE PANEL ASSEMBLIES

ITEM	PART NO.	QTY	DESCRIPTION	NOTES
1	60505	4	Nut, .312-18 U-clip - long type	
2	20790	1	Foam, top side	
3	20666W	1	Panel, top side	
4	20722W	1	Plate, side stiffener	
5	20667W	1	Panel, center side	
6	20793	1	Foam, center side	
7	62133	2	Insert, threaded .312-18 splined .027-.150 grip	
8	60452	4	Washer, .313 flat 1.125/1.0 bonded rubber, SS	
9	60507	4	Screw, .312-18 x 1.0 std hex, SS	
10	60095	4	Nut, .312-18 sflg	
--	20821	2	Assembly, panel - top side	Items 1 - 3
--	20820	2	Assembly, panel - center side	Items 4 - 10

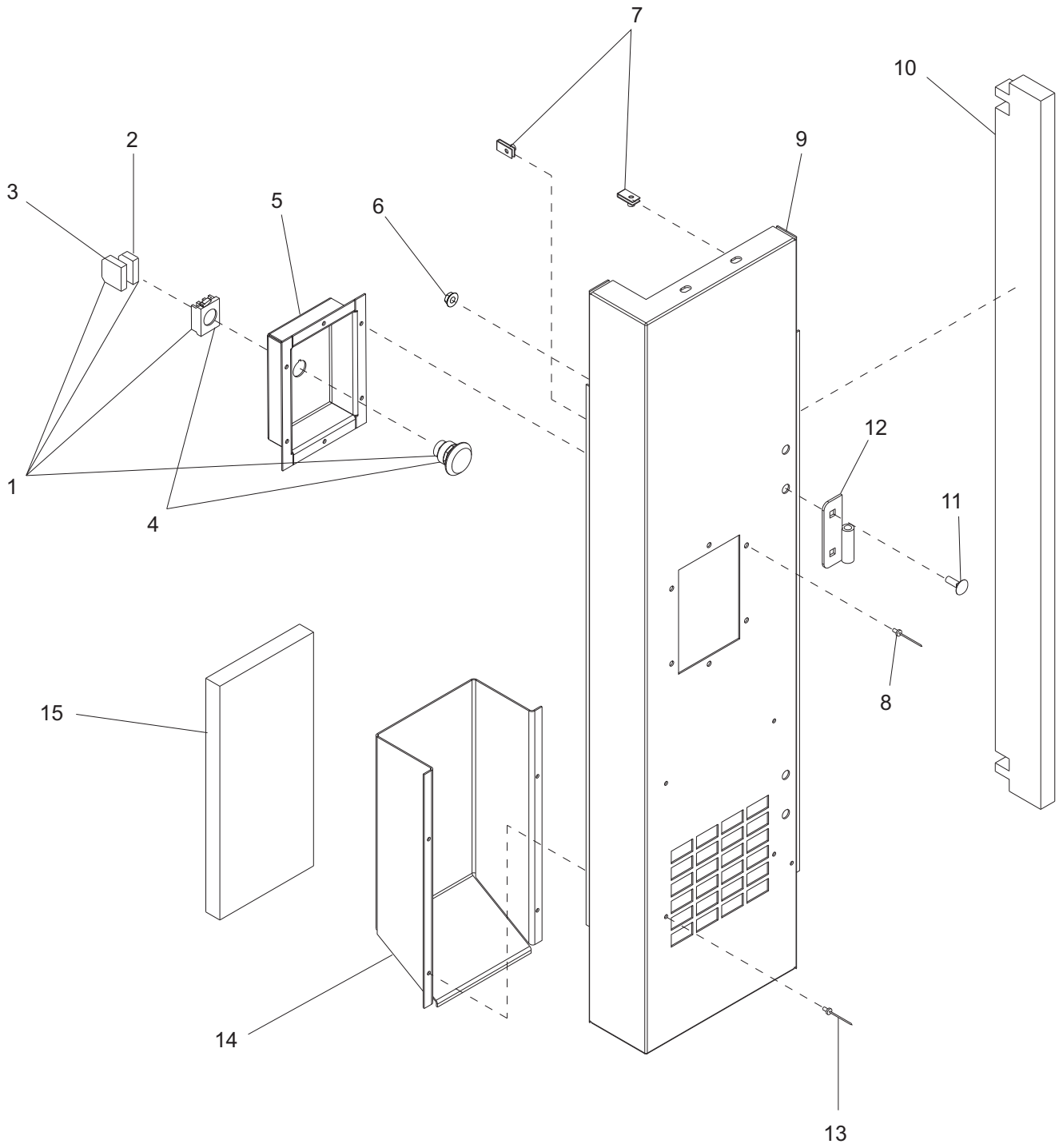
# LEFT REAR CORNER ASSEMBLY



## LEFT REAR CORNER ASSEMBLY

ITEM	PART NO.	QTY	DESCRIPTION	NOTES
1	60505	4	Nut, .312-18 U-clip - long type	
2	20798	1	Foam, small duct - face	
3	20677W	1	Duct, rear air	
4	20795	1	Foam, corner common	
5	20661W	1	Panel, left rear	
6	60268	4	Rivet, .188 dia. x .126 to .250 grip, SS	
7	18648	1	Cap, fuel fill w/gasket	
8	61066	4	Screw, .312-18 x 1.0 carr sqr, SS	
9	60067	7	Washer, #10 flat .435/.060, SS	
10	19238	1	Gasket, fuel fill	
11	18666B	1	Weldment, filler tube & flange	
12	18506	1	Port, fuel fill	
13	60530	7	Nut, 10-24 nylock, SS	
14	60095	4	Nut, .312-18 sflg	
15	20804	1	Foam, small duct - side	
16	60529	7	Screw, 10-24 x .625 pan phil, SS	
17	18460	2	Hinge, left (female)	
--	20738	1	Assembly, left rear corner	Items 1 - 17

# RIGHT REAR CORNER ASSEMBLY

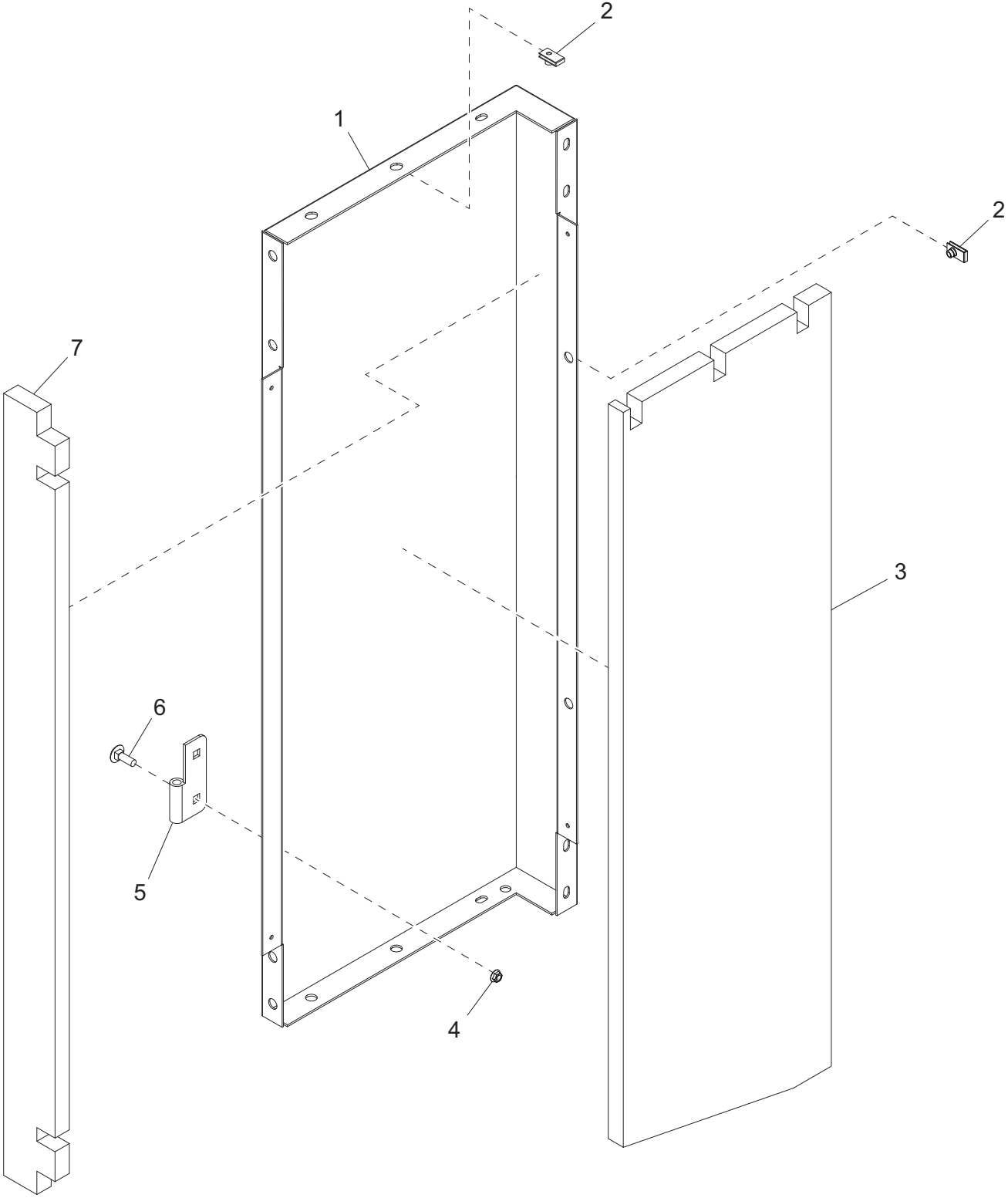




## RIGHT REAR CORNER ASSEMBLY

ITEM	PART NO.	QTY	DESCRIPTION	NOTES
1	22550	1	Switch, E-stop, 2NO/1NC	
2	65580	1	Block, E-stop contactor - NC	
3	65584	1	Block, E-stop contactor - NO/NO	
4	65470	1	Switch, E-stop operator	
5	30645	1	Panel, emergency stop	
6	60095	4	Nut, .312-18 sflg	
7	60505	4	Nut, .312-18 U-clip - long type	
8	60260	6	Rivet, .188 dia. x .375 to .500 grip, SS	
9	21037W	1	Panel, right rear	
10	20795	1	Foam, corner common	
11	61066	4	Screw, .312-18 x 1.0 carr sqr, SS	
12	18462	2	Hinge, right (female)	
13	60268	4	Rivet, .188 dia. x .126 to .250 grip	
14	20677W	1	Duct, rear air	
15	20798	1	Foam, small duct	
--	20737	1	Assembly, right rear corner	Items 1 - 15

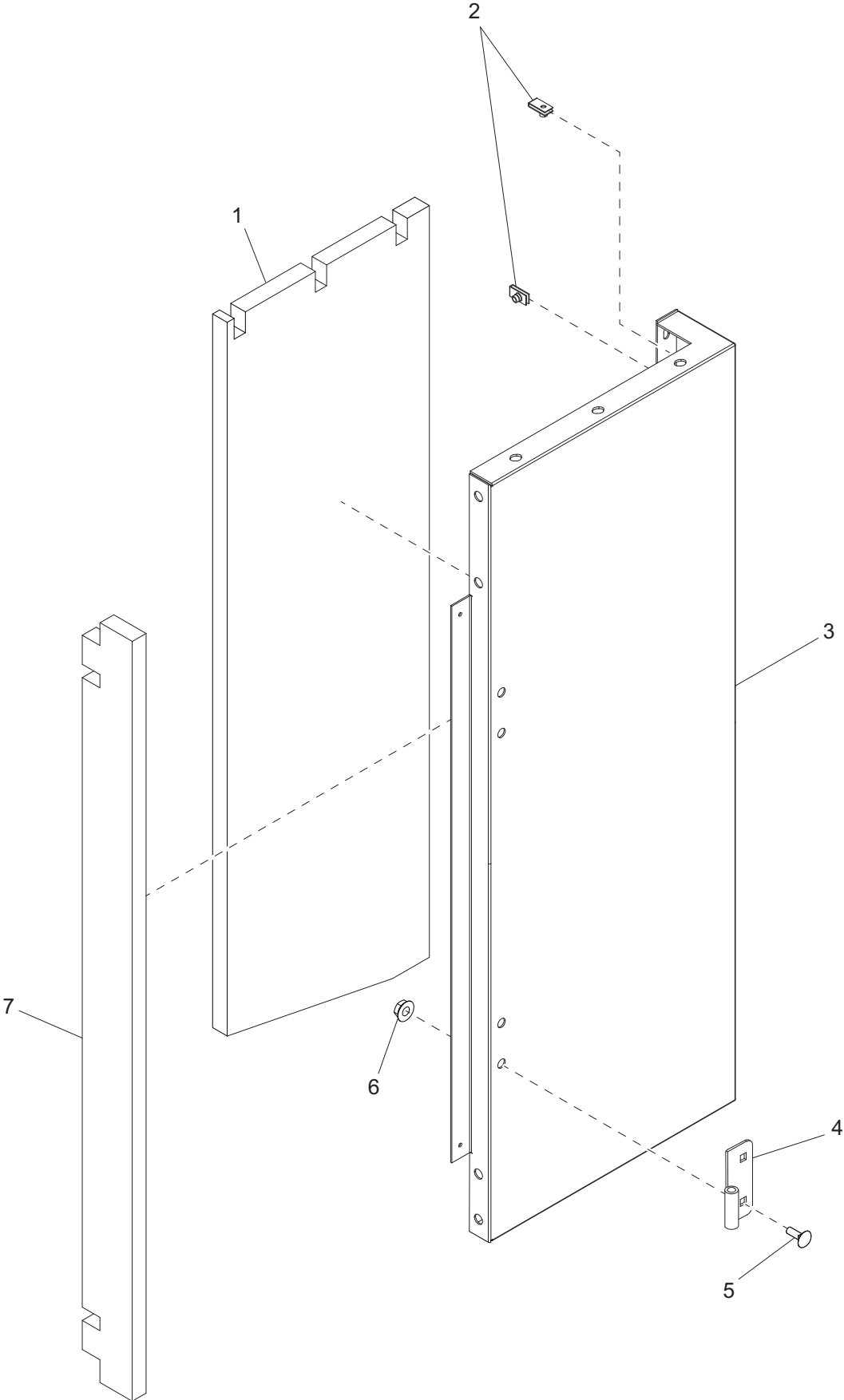
LEFT FRONT CORNER ASSEMBLY



## LEFT FRONT CORNER ASSEMBLY

ITEM	PART NO.	QTY	DESCRIPTION	NOTES
1	20663W	1	Panel, left front	
2	60505	5	Nut, .312-18 U-clip - long type	
3	20792	1	Foam, left front corner	
4	60095	4	Nut, .312-18 sflg	
5	18460	2	Hinge, left (female)	
6	61066	4	Screw, .312-18 x 1.0 carr sqr, SS	
7	20795	1	Foam, corner common	
--	20813	1	Assembly, left front corner	Items 1 - 7

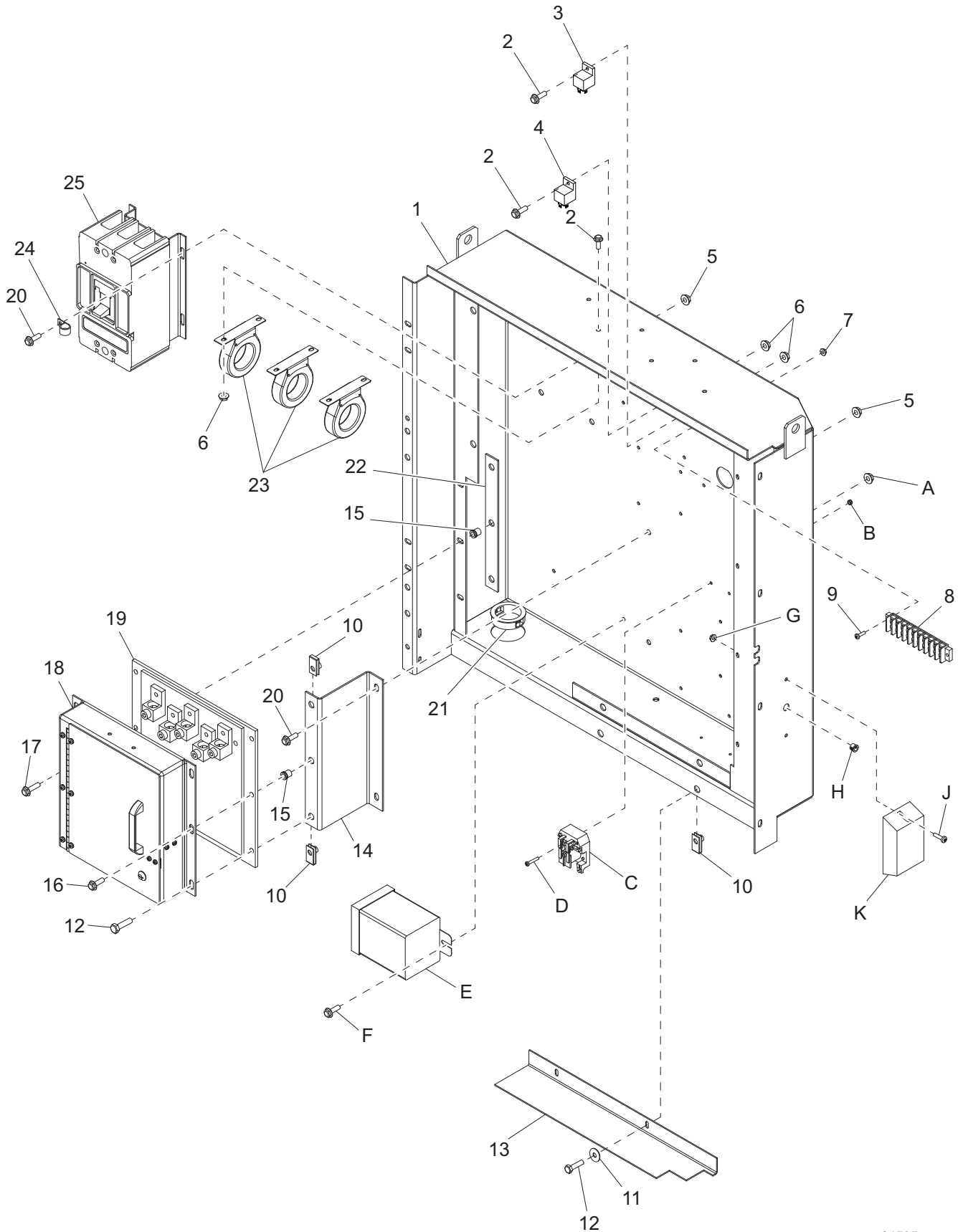
**RIGHT FRONT CORNER ASSEMBLY**



## RIGHT FRONT CORNER ASSEMBLY

ITEM	PART NO.	QTY	DESCRIPTION	NOTES
1	20791	1	Foam, right front corner	
2	60505	10	Nut, .312-18 U-clip - long type	
3	20662W	1	Panel, right front	
4	18462	2	Hinge, right (female)	
5	61066	8	Screw, .312-18 x 1.0 carr sqr, SS	
6	60095	8	Nut, .312-18 sflg	
7	20795	2	Foam, corner common	
--	20812	1	Assembly, right front corner	Items 1 - 7

# CONTROL BOX ASSEMBLY (1 OF 2)



01595

## CONTROL BOX ASSEMBLY (1 OF 2)

ITEM	PART NO.	QTY	DESCRIPTION	NOTES
1	26326B	1	Weldment, control box	
2	60175	8	Screw, .250-20 x .500 sflg	
3	66455	1	Relay, 12V 70A NC/80A NO w/diode	
4	65049	1	Relay, 12V 30/40A NO w/diode	
5	60145	6	Nut, .375-16 sflg, G5	
6	60161	8	Nut, .250-20 sflg	
7	61045	2	Nut, 10-32 sflg, G5	
8	14203	1	Block, terminal - 10 pos	
9	60062	2	Screw, 10-32 x .750 pan phil, G2	
10	60505	4	Nut, .312-18 U-clip - long type	
11	60452	2	Washer, .313 flat 1.125/1.0 bonded rubber, SS	
12	60507	4	Screw, .312-18 x 1.0 std hex, SS	
13	23143B	1	Panel, wire guide	
14	23081B	1	Bracket, glastic plate	
15	60022	4	Insert, threaded M8-1.0 splined	
16	60009	1	Screw, M8-1.25 x 25 sflg hex, G8.8	
17	60160	3	Screw, M8-1.25 x 30 sflg hex, G8.8	
18	<a href="#">Page 46</a>	1	Assembly, lug box	
19	<a href="#">Page 48</a>	1	Assembly, lug plate	
20	60517	6	Screw, .375-16 x 1.0 sflg hex	
21	18496	1	Fitting, bushing-2.5 ODX 2.0 ID	
22	19267B	1	Plate, glastic bracket	
23	65443	3	Transformer, current (500:5A)	
24	60716	2	Clamp, tubing - 1.50	
25	<a href="#">Page 44</a>	1	Assembly, circuit breaker	
--	66456	1	Connector, 70A relay	

### OPTIONAL FEATURES

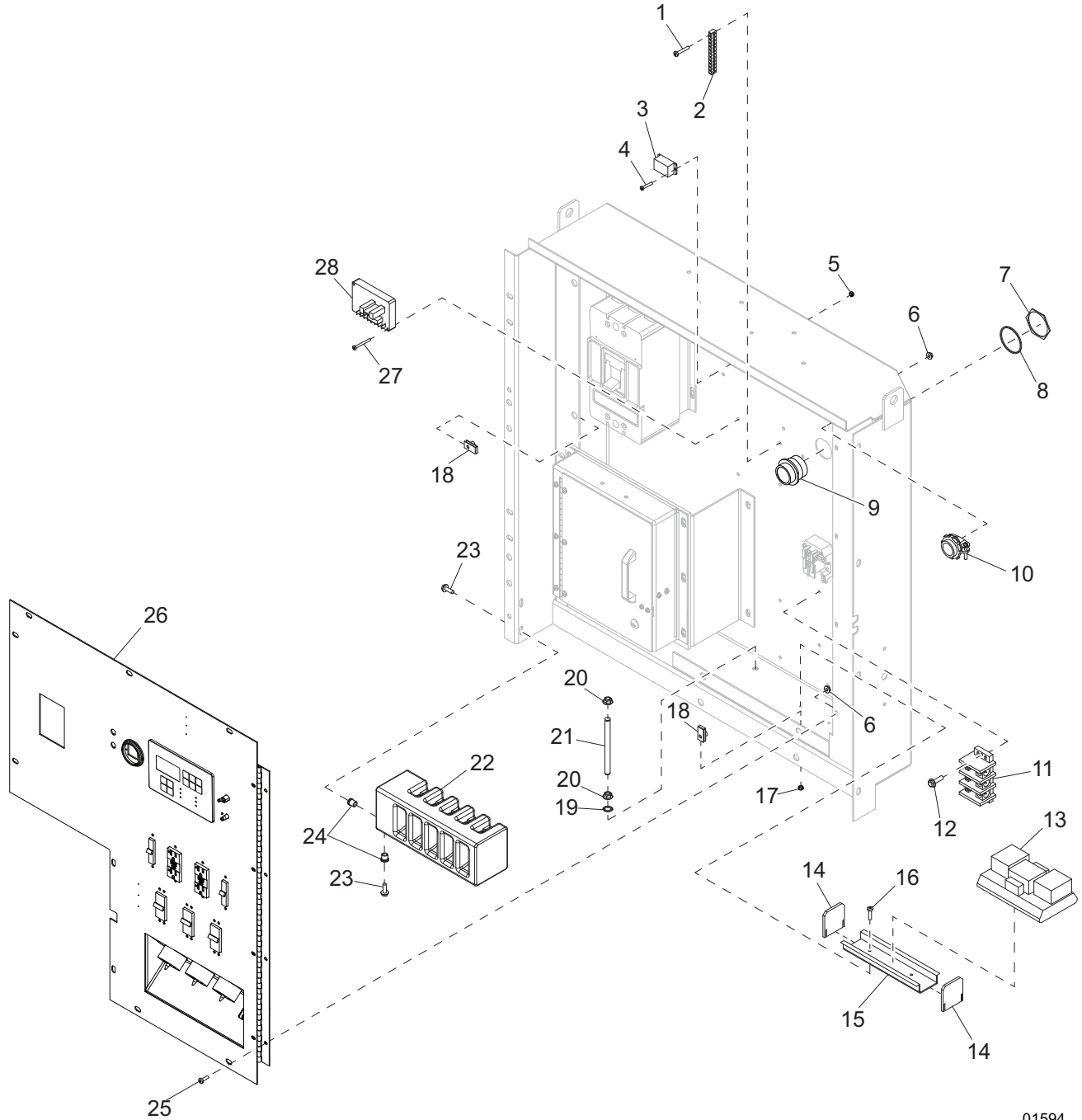
#### *Buck Transformer:*

A	60161	3	Nut, .250-20 sflg
B	60061	2	Nut, 10-32 nylock
C	65461	1	Relay, 30A DPDT 120VAC
D	60396	2	Screw, 10-32 x 1.25 pan phil, G2
E	21487	1	Transformer, 1.13:1 1-phase 500VA
F	60175	3	Screw, .250-20 x .500 sflg

#### *Battery Charger:*

G	61045	2	Nut, 10-32 sflg
H	19163	1	Fitting, bushing - .500 ODX .375 ID
J	60062	2	Screw, 10-32 x .750 pan phil, G2
K	65326	1	Battery charger-2A, 3 stage

# CONTROL BOX ASSEMBLY (2 OF 2)



01594



## CONTROL BOX ASSEMBLY (2 OF 2)

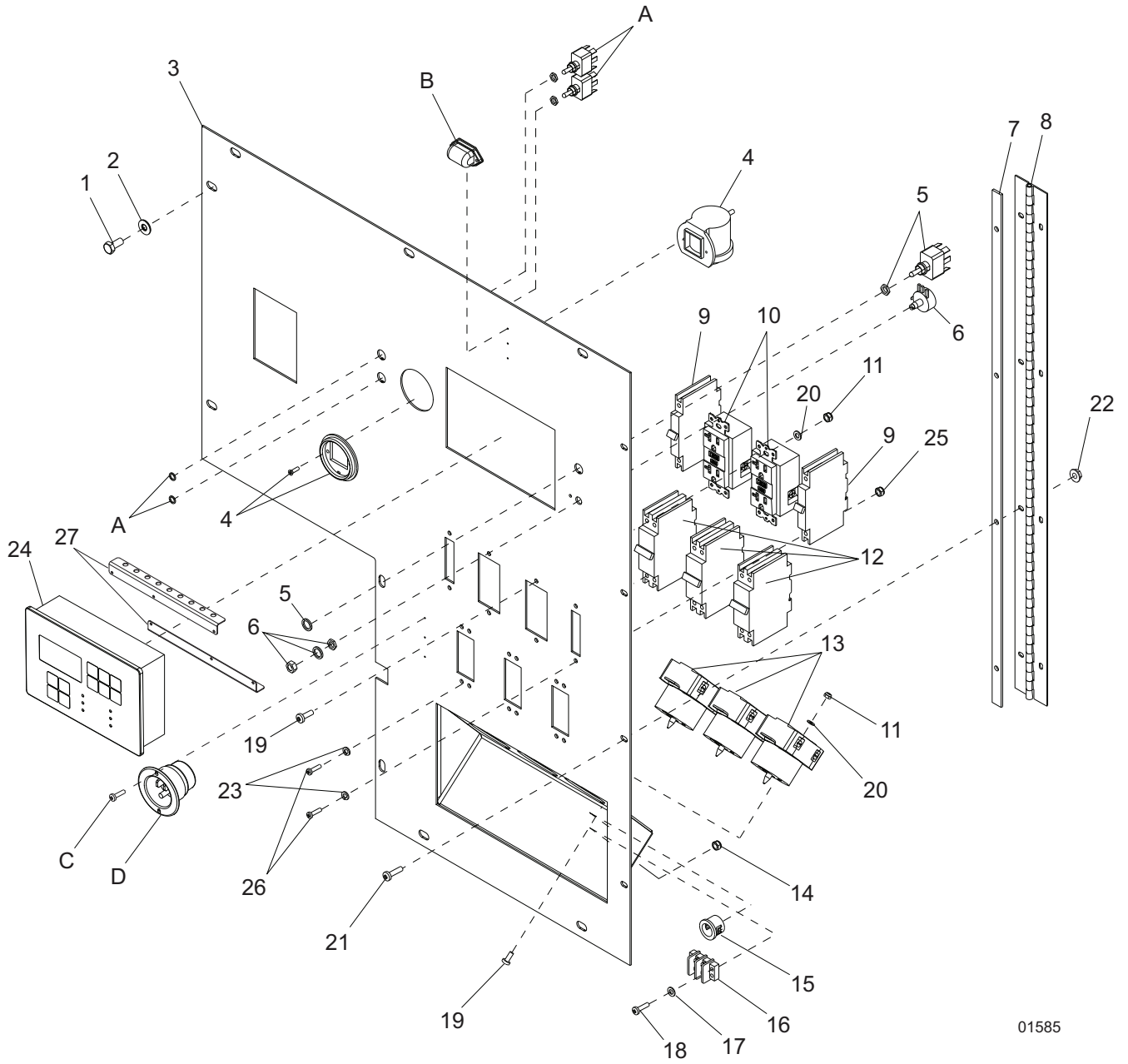
ITEM	PART NO.	QTY	DESCRIPTION	NOTES
1	60406	2	Screw, 8-32 x 1.00 sflg	
2	14204	1	Kit, ground bar	
3	67851	1	Relay, 30A/3A DPDT high voltage, 12VDC coil	MMG75CAN6 only
4	60526	2	Screw, 8-32 x .500 pan phil, G2	MMG75CAN6 only
5	60318	2	Nut, 8-32 hex, G5	MMG75CAN6 only
6	61045	6	Nut, 10-32 sflg, G5	
7	65416	2	Nut, Deutsch HDP series	
8	65417	2	Washer, lock Deutsch HDP series	
9	65309	2	Connector, 21 pin, Deutsch	
10	14202	1	Strain relief - .375 Romex w/nut	
11	65356	1	Block, terminal - 3 pole, Bussman	
12	60024	2	Screw, M6-1.0 x 25 sflg hex, class 90	
13	66864	1	Assembly, transformer board - step down 2:1	
14	65674	2	Stop, 35mm din rail end	
15	67129	1	Rail, din - 35mm x 7.0 in	
16	60277	2	Screw, 10-32 x .500 pan phil, G2	
17	14231	2	Nut, 10-32 hex, G2	
18	60505	9	Nut, .312-18 U-clip - long type	
19	60069	1	Washer, M8 external star	
20	60020	2	Nut, M8-1.25 sflg, G8.8	
21	18992	1	Stud, ground - M8-1.25 x 100 mm	
22	19201	1	Guide, cables	
23	60479	5	Screw, .250-20 x 1.0 sflg hex, G5	
24	62132	5	Insert, threaded .250-20 splined .027-.165 grip	
25	60398	4	Screw, 10-32 x .500 pan phil, SS	
26	<a href="#">Page 42</a>	1	Assembly, control panel	
27	60355	2	Screw, M4-.70 x 25 pan phil, G4.8	
28	10519	1	Regulator, voltage - SE 350	
--	66014	1	Wire group - control box	MMG75 & MMG75CAN
--	67843	1	Wire group - control box	MMG75CAN6
--	66016	1	Wire group - AC cables	

### OPTIONAL FEATURES

#### *Buck Transformer:*

--	66340	1	Relay, voltage sensing
--	65644	1	Base, relay - 8 pos

# CONTROL PANEL ASSEMBLY



01585

## CONTROL PANEL ASSEMBLY

ITEM	PART NO.	QTY	DESCRIPTION	NOTES
1	60507	9	Screw, .312-18 x 1.0 std hex, SS	
2	60452	9	Washer, .313 flat 1.125/1.0 bonded rubber, SS	
3	23834W	1	Weldment, control panel	
4	18609	1	Kit, filter minder gauge	
5	25077	1	Switch, toggle - SPST 20A VAC	
6	18113	1	Potentiometer, 2.5k, 2W	
7	22209W	1	Spacer, hinge	
8	22208	1	Hinge, control panel - 28.0 in	
9	18091	2	Breaker, 20A/240V, 1-pole	
10	14130	2	Receptacle, 120V/20A GFI	
11	60457	14	Nut, 10-24 nylock, G5	
12	18092	3	Breaker, 50A/240V, 2-pole	
13	18089	3	Receptacle, 240V/50A twist-lock	
14	60270	2	Nut, 8-32 nylock, G5	
15	19163	1	Fitting, bushing - .500 x .375 ID	
16	18890	1	Block, terminal - 2 pos	
17	60269	2	Washer, #8 flat .433/.036	
18	60406	2	Screw, 8-32 x 1.0 pan phil, G2	
19	60068	10	Screw, 10-24 x .500 pan phil, G2	
20	60237	10	Washer, #10 flat .495/.036	
21	60062	4	Screw, 10-24 x .625 pan phil, G2	
22	61045	4	Nut, 10-32 sflg ZC	
23	60058	16	Washer, #6 split lock	
24	66204	1	Controller, eng/gen - programmed	MMG75 & MMG75CAN
	67100	1	Controller, eng/gen - programmed	MMG75CAN6
25	60728	4	Nut, 6-32 nylock, G5	
26	60046	16	Screw, 6-32 x .750 pan phil, G2	
27	29893	2	Bracket, control board wire guide	
--	18934	1	Decal, potentiometer guard	
--	66925	1	Wire group - receptacles	
--	25147	1	Wedgelock, deutsch - plug - 2 pos.	

### OPTIONAL FEATURES

#### *Interior Lights:*

A	25077	2	Toggle switch, SPST 20A
B	23025	1	Light, interior control panel
--	65003K	6	Terminal, spade female .250 14-16AWG
--	65311	16	Terminal, pin, deutsch, 16-18 AWG
--	50345	2.67 ft	Wire, std 16 AWG AWM red/blk
--	65759	4.916 ft	Wire, std 16 AWG AWM red/wht

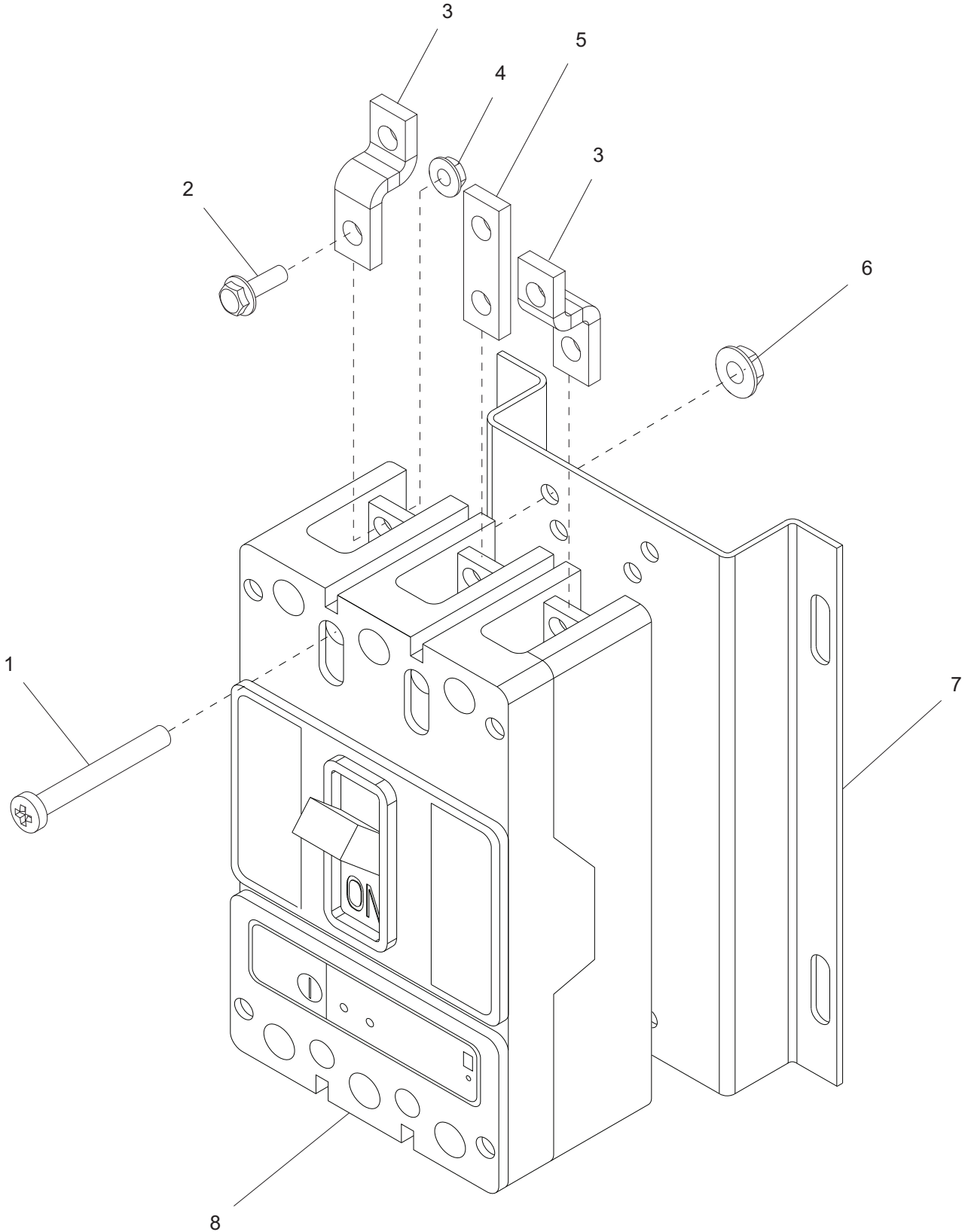
#### *Control Panel Light:*

A	25077	2	Toggle switch, SPST 20A
B	23025	1	Light, interior control panel

#### *Battery Charger:*

C	60364	2	Screw, 10-16 x .500 std hex, G2
D	65285	1	Receptacle, 120V/15A inlet

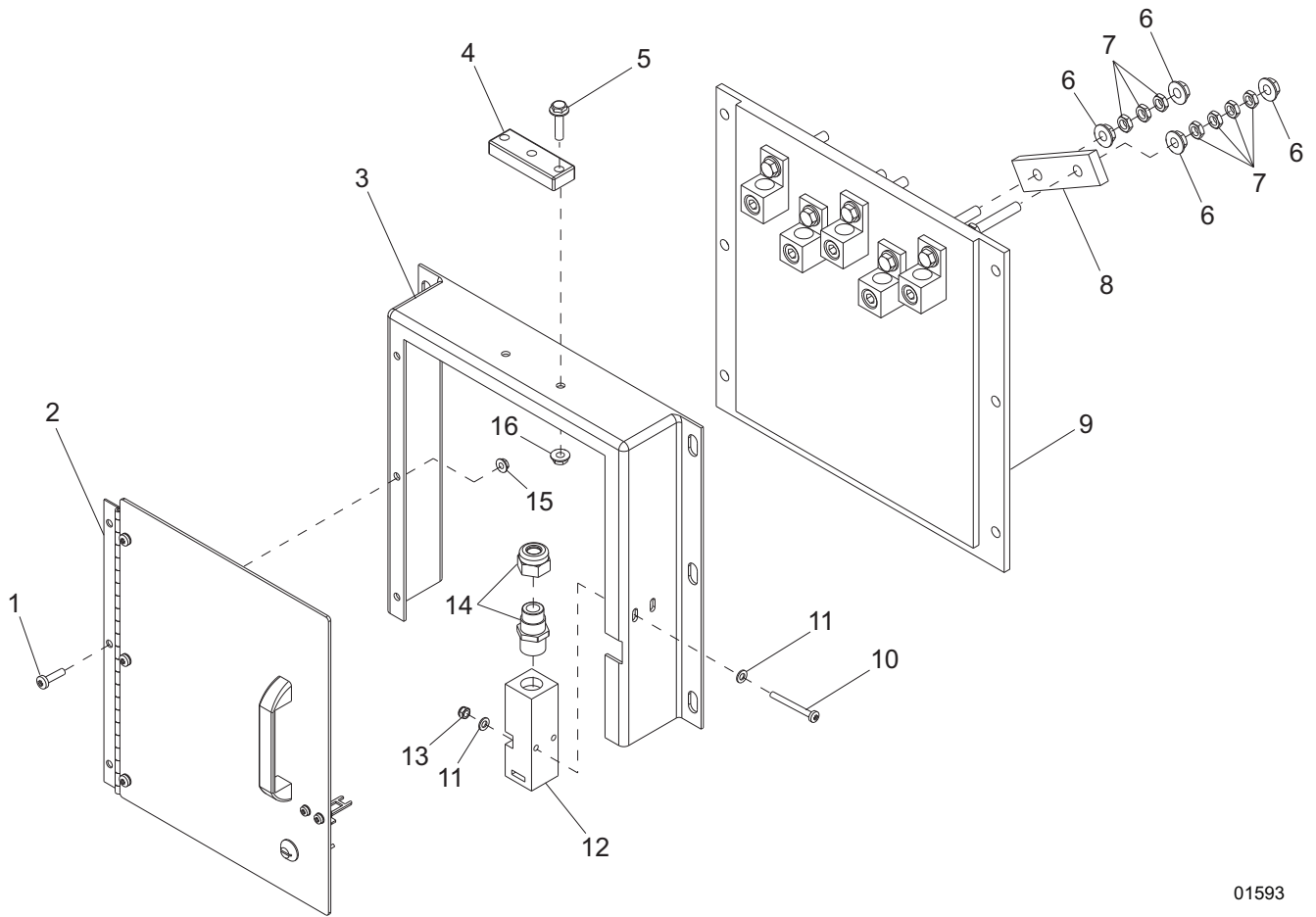
# CIRCUIT BREAKER ASSEMBLY



## CIRCUIT BREAKER ASSEMBLY

ITEM	PART NO.	QTY	DESCRIPTION	NOTES
1	60143	4	Screw, .250-20 x 2.0 pan phil, G5	
2	61091	6	Screw, .312-18 x 1.0 sflg hex, G5	
3	65292	2	Bus, 400A breaker connection - A & C phase	
4	60095	6	Nut, .312-18 sflg	
5	65291	1	Bus, 400A breaker connection - B phase	
6	60161	4	Nut, .250-20 sflg, G5	
7	18019B	1	Bracket, breaker mounting	
8	65372	1	Breaker, 300A, 12-24VDC shunt trip	

# LUG BOX ASSEMBLY

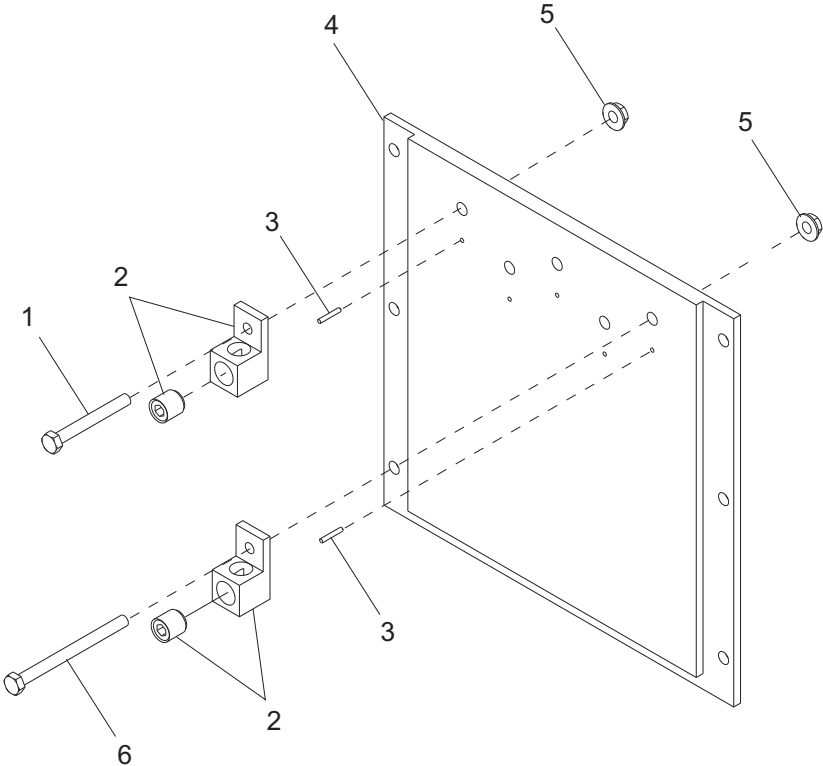


01593

## LUG BOX ASSEMBLY

ITEM	PART NO.	QTY	DESCRIPTION	NOTES
1	60398	3	Screw, 10-32 x .500 pan phil, SS	
2	<i>Page 50</i>	1	Assembly, lug door	
3	20680W	1	Panel, lug box	
4	18936Z	1	Bracket, door prop	
5	60479	2	Screw, .250-20 x 1.0 sflg hex	
6	60095	4	Nut, .312-18 sflg	
7	60285	7	Nut, .312-18 hex, G5	
8	19410	1	Connector, LO to ground	
9	<i>Page 54</i>	1	Assembly, lug plate	
10	60525	2	Screw, 8-32 x 1.500 pan phil	
11	60269	4	Washer, #8 flat .433/.036	
12	15864	1	Strain relief-.50NPT watertight	
13	60270	2	Nut, 8-32 nylock, G5	
14	18111	1	Switch, lockout (1 NO)(1 NC)	
15	61045	3	Nut, 10-32 sflg, G5	
16	60161	2	Nut, .250-20 sflg, G5	
--	66331	1	Lead wire	

# LUG PLATE ASSEMBLY

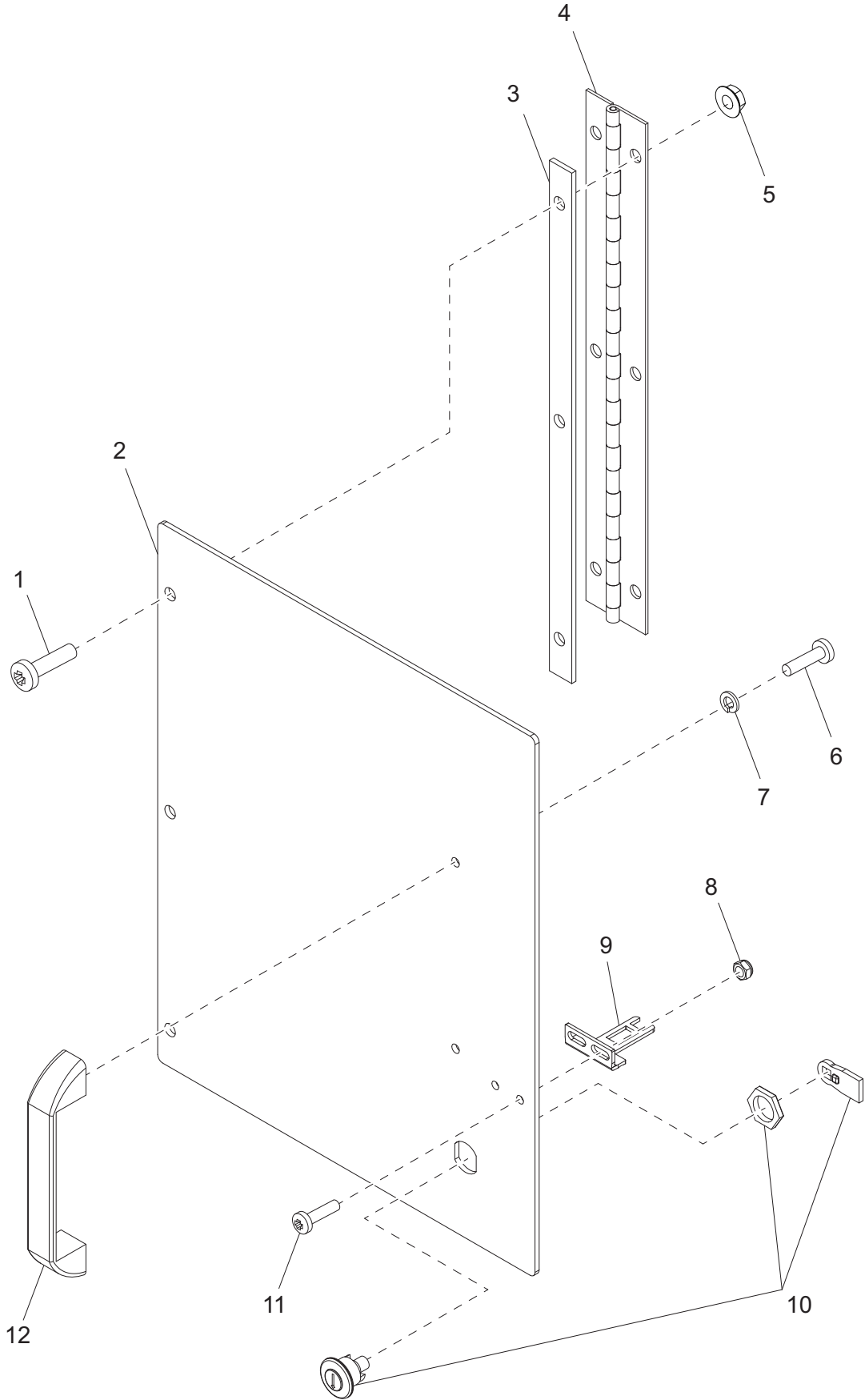




## LUG PLATE ASSEMBLY

ITEM	PART NO.	QTY	DESCRIPTION	NOTES
1	60737	3	Screw, .312-18 x 2.5 std hex	
2	65344	5	Lug, terminal 350MCM	
3	60048	5	Pin, roll .125 x .625	
4	18613	1	Plate, glastic	
5	60095	5	Nut, .312-18 sflg	
6	60404	2	Screw, .312-18 x 4.0 std hex	

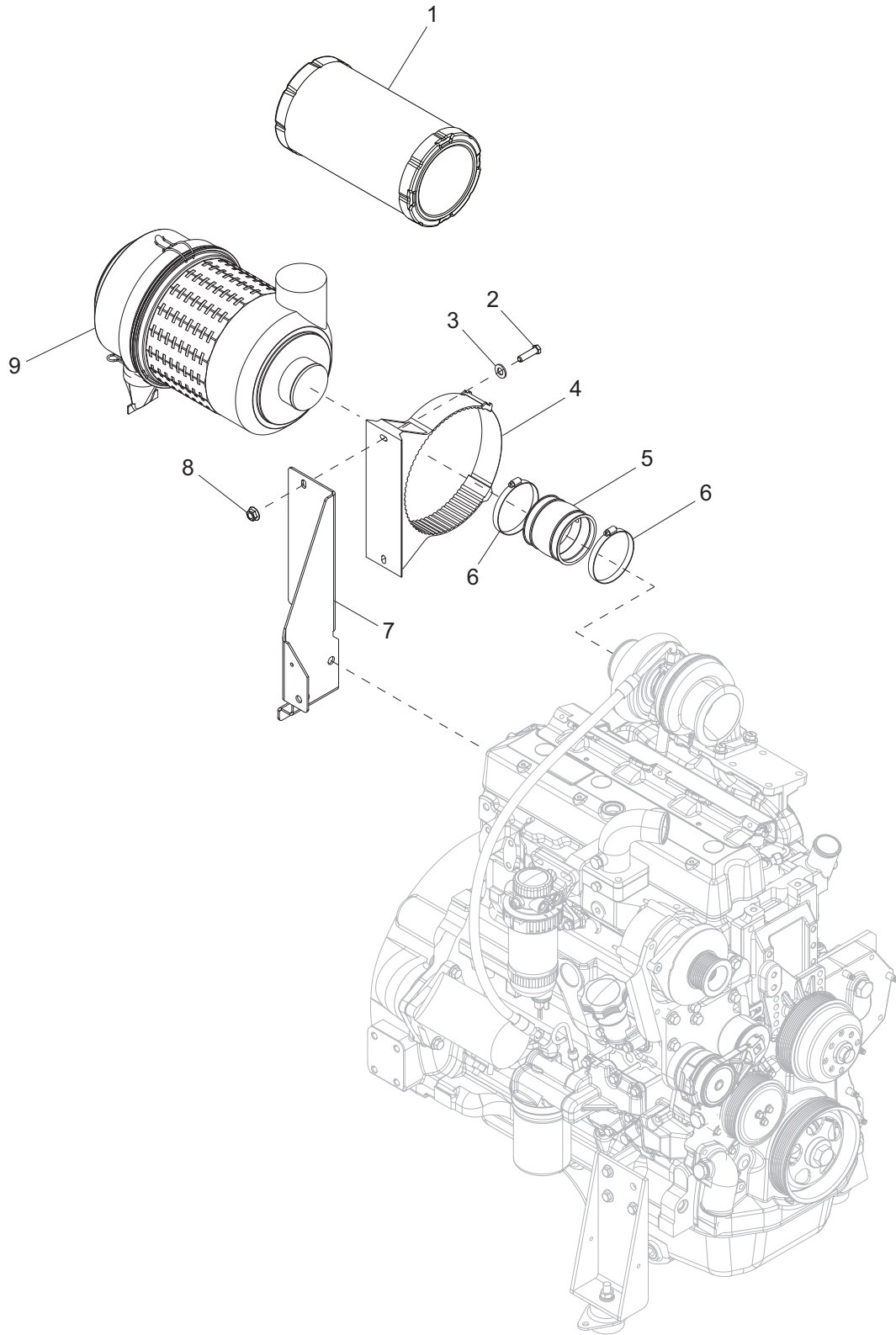
LUG BOX DOOR ASSEMBLY



## LUG BOX DOOR ASSEMBLY

ITEM	PART NO.	QTY	DESCRIPTION	NOTES
1	60398	3	Screw, 10-32 x .500 pan phil, SS	
2	20681W	1	Door, lug	
3	20684W	1	Spacer, hinge - lug door	
4	18746	1	Hinge, lug door - 11.125	
5	61045	3	Nut, 10-32 sflg	
6	60068	2	Screw, 10-24 x .500 pan phil, G2	
7	60252	2	Washer, #10 split lock	
8	60270	2	Nut, 8-32 nylock, class 6	
9	18112	1	Key, lockout switch (90°)	
10	20762	1	Lock, door - 1/4 turn cam	
11	60526	2	Screw, 8-32 x .500 pan phil, G2	
12	18893	1	Handle, lug door	

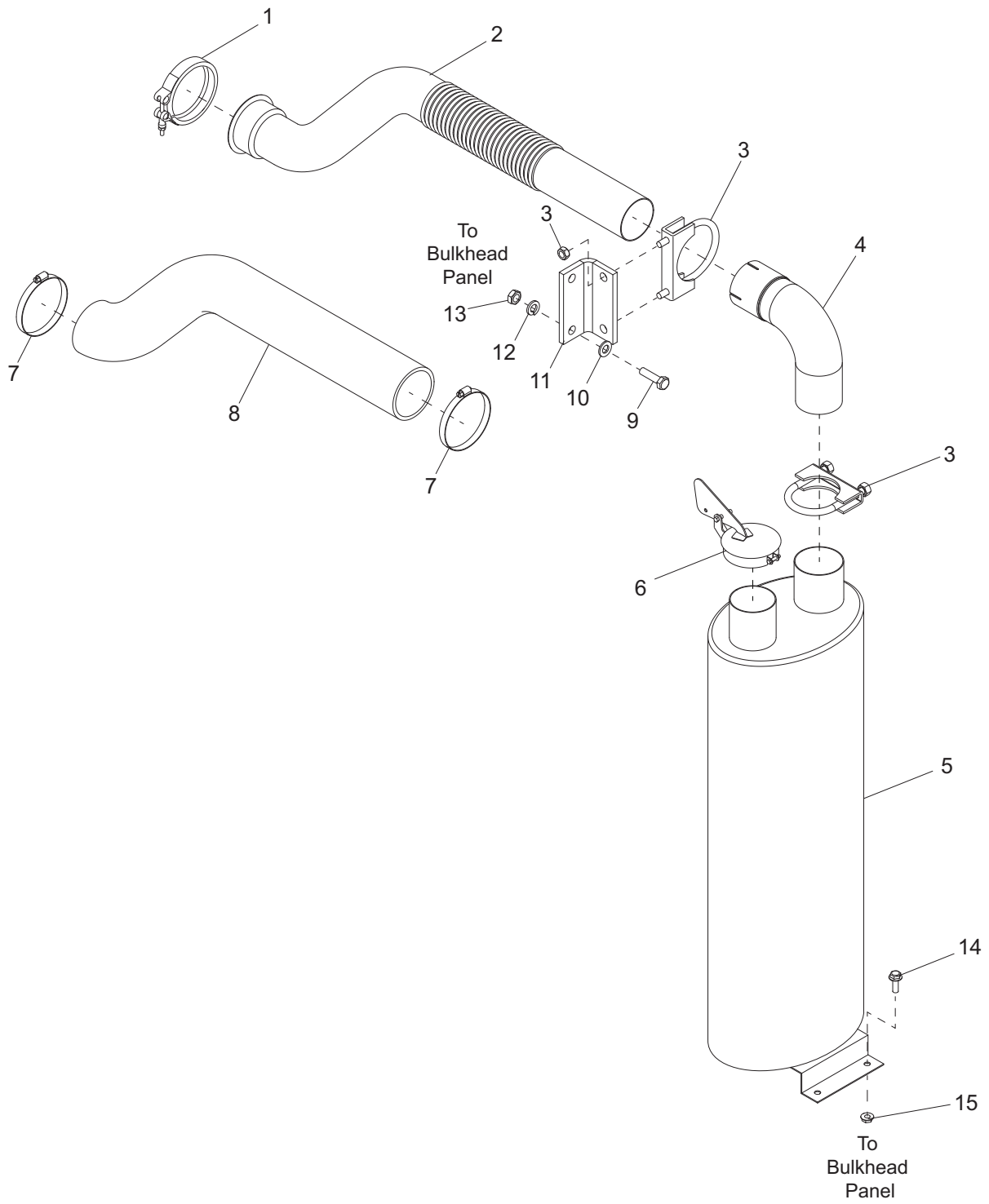
# AIR FILTER ASSEMBLY



## AIR FILTER ASSEMBLY

ITEM	PART NO.	QTY	DESCRIPTION	NOTES
1	26722	1	Element, air filter	
2	60256	2	Screw, .312-18 x 1.50 std hex, G5	
3	60119	2	Washer, .312 flat .875/.070	
4	26466	1	Clamp, air filter	
5	26467	1	Hose, air inlet	
6	18663	2	Clamp, hose - SAE 060 (3.31-4.25)	
7	26496B	1	Bracket, air filter	
8	60095	2	Nut, .312-18 sflg	
9	26465	1	Filter, air cleaner	

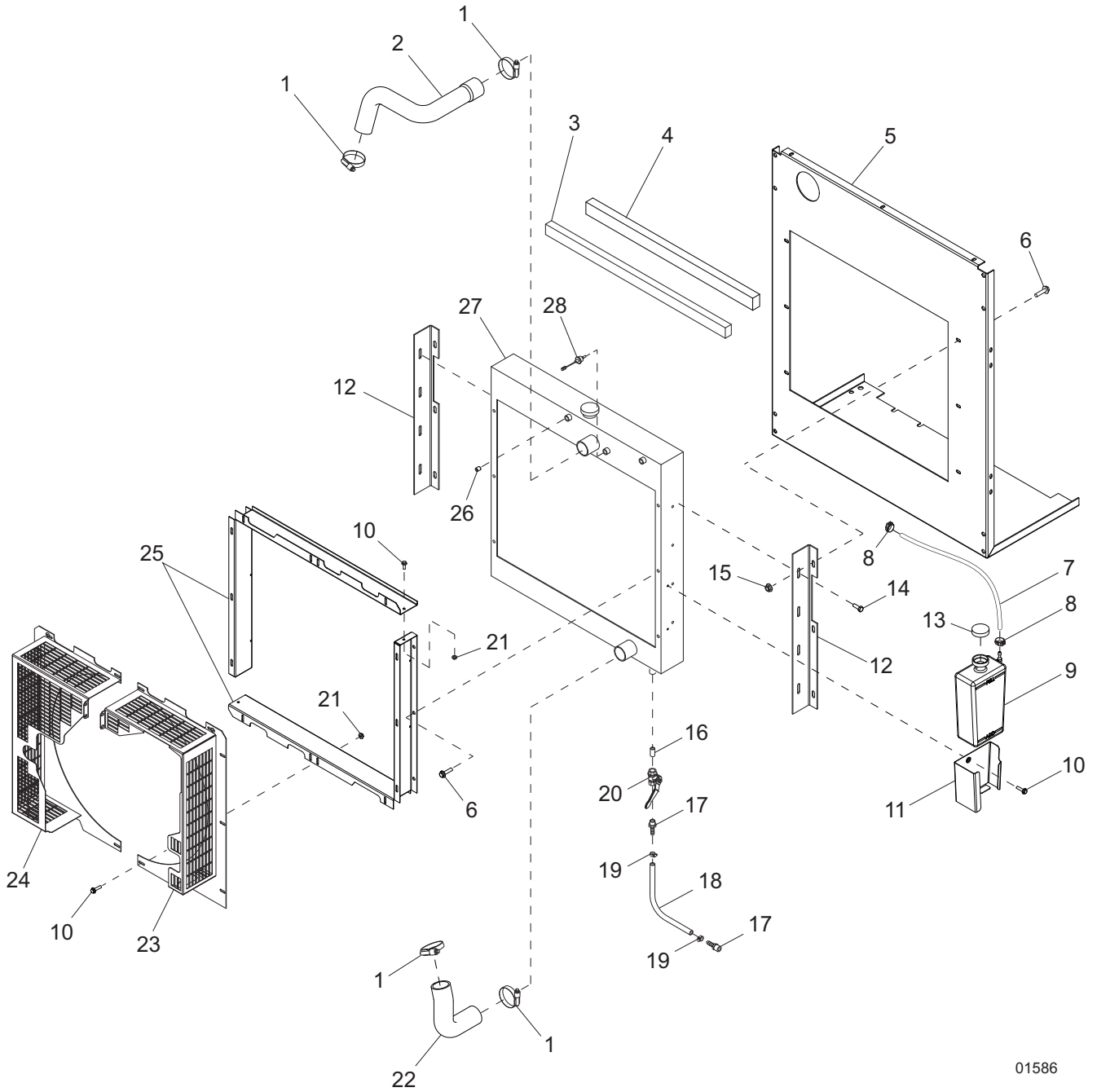
# EXHAUST SYSTEM ASSEMBLY



## EXHAUST SYSTEM ASSEMBLY

ITEM	PART NO.	QTY	DESCRIPTION	NOTES
1	18820	1	Clamp, V-band - 4.33 ID	
2	26230	1	Pipe, exhaust - turbo outlet	
3	18821	2	Clamp, muffler - 3.00	
4	26469	1	Exhaust pipe, 3.00 - 90°	
5	26378	1	Muffler	
6	21089	1	Cap, rain - 3.00	
7	18663	2	Clamp, hose - SAE 060 (3.31-4.25)	
8	30811	4 ft	Sleeve, high temp - 4.00	
9	61036	4	Screw, .375-16 x 1.25 std hex, SS	
10	60698	8	Washer, .375 flat .875/.040, SS	
11	34690B	1	Bracket, muffler support	
12	60206	2	Washer, .375 split lock	
13	60140	2	Nut, .375-16 hex, G5	
14	60353	2	Screw, .375-16 x 1.0 flg hex, G2	
15	60145	2	Nut, .375-16 sflg, G5	

# COOLING SYSTEM ASSEMBLY



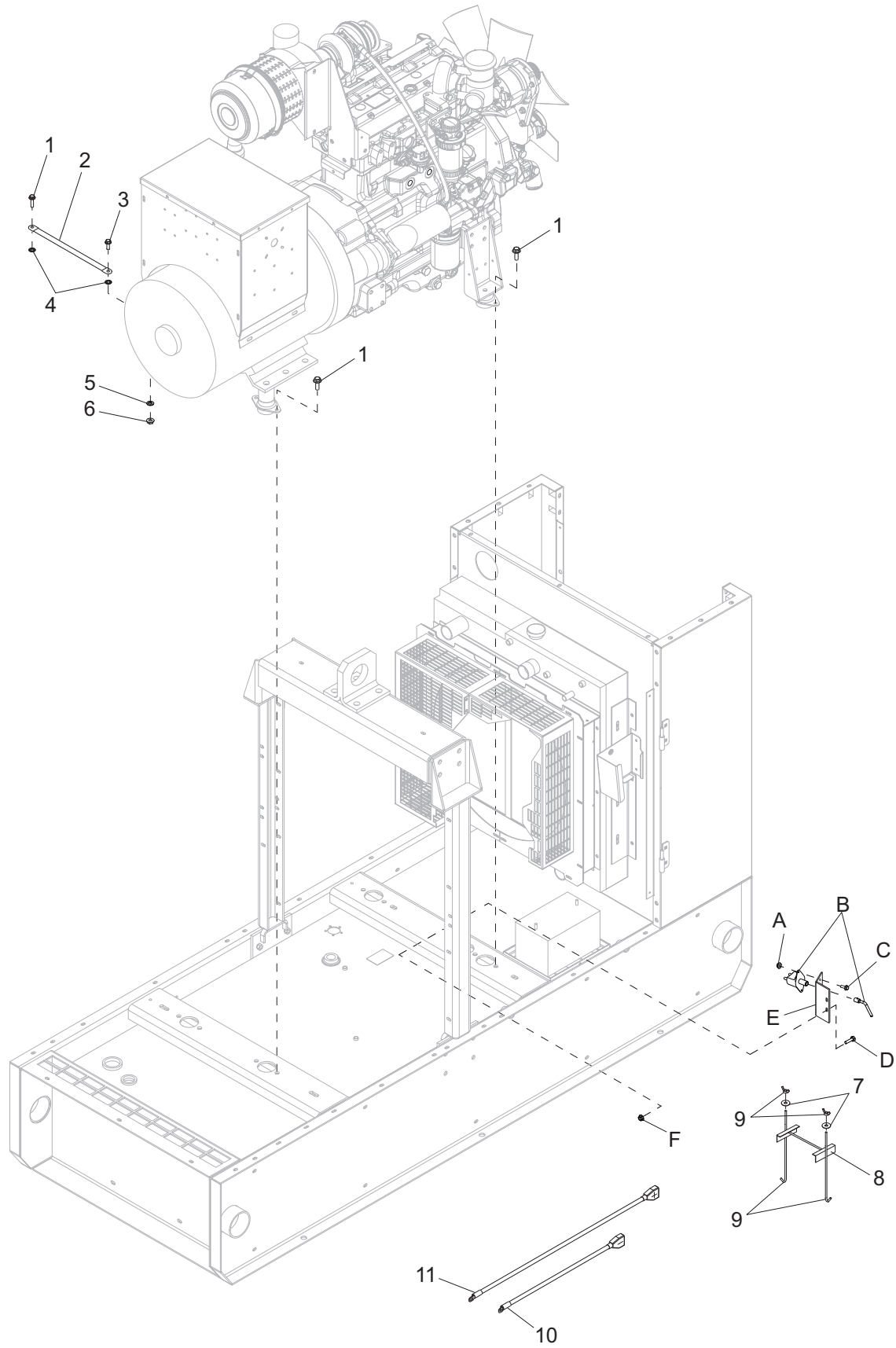
01586



## COOLING SYSTEM ASSEMBLY

ITEM	PART NO.	QTY	DESCRIPTION	NOTES
1	60316	4	Clamp, hose - SAE 032 (1.56-2.50)	
2	26468	1	Hose, radiator - upper	
3	28898	2	Foam, radiator	
4	28897	2	Foam, radiator	
5	26420B	1	Panel, bulkhead	
6	60451	12	Screw, .375-16 x .625 flg hex	
7	50018	1.66 ft	Hose, fuel - .312 ID, 50 psi, SAE 30R7	
8	63192	2	Clamp, crimping band - .464 in	
9	24952	1	Jug, overflow - 2.5 qt	
10	60175	18	Screw, .250-20 x .500 sflg hex, G5	
11	26211B	1	Bracket, overflow jug	
12	30684B	2	Bracket, radiator	
13	19714	1	Cap, overflow bottle	
14	60168	8	Screw, .312-18 x .750 std hex, G5	
15	60145	12	Nut, .375-16 sflg, G5	
16	60438	1	Fitting, nipple, pipe - .500NPT x close	
17	60999	2	Fitting, strt - .500MNPT x .312 barb, brass	
18	50018	0.83 ft	Hose, fuel - .312 ID, 50 psi, SAE 30R7	
19	60365	2	Clamp, hose - SAE 010 (.56-1.06)	
20	19279	1	Valve, ball .500FNPT	
21	60161	16	Nut, .250-20 sflg, G5	
22	26295	1	Hose, radiator - lower	
23	26299B	1	Weldment, fan guard - right	
24	26300B	1	Weldment, fan guard - left	
25	26292B	2	Radiator shroud	
26	18394	1	Fitting, plug - .500NPT x internal hex	
27	26656	1	Radiator	
28	30942	1	Assembly, low coolant switch/harness	

# ENGINE TO SKID ASSEMBLY



01588

## ENGINE TO SKID ASSEMBLY

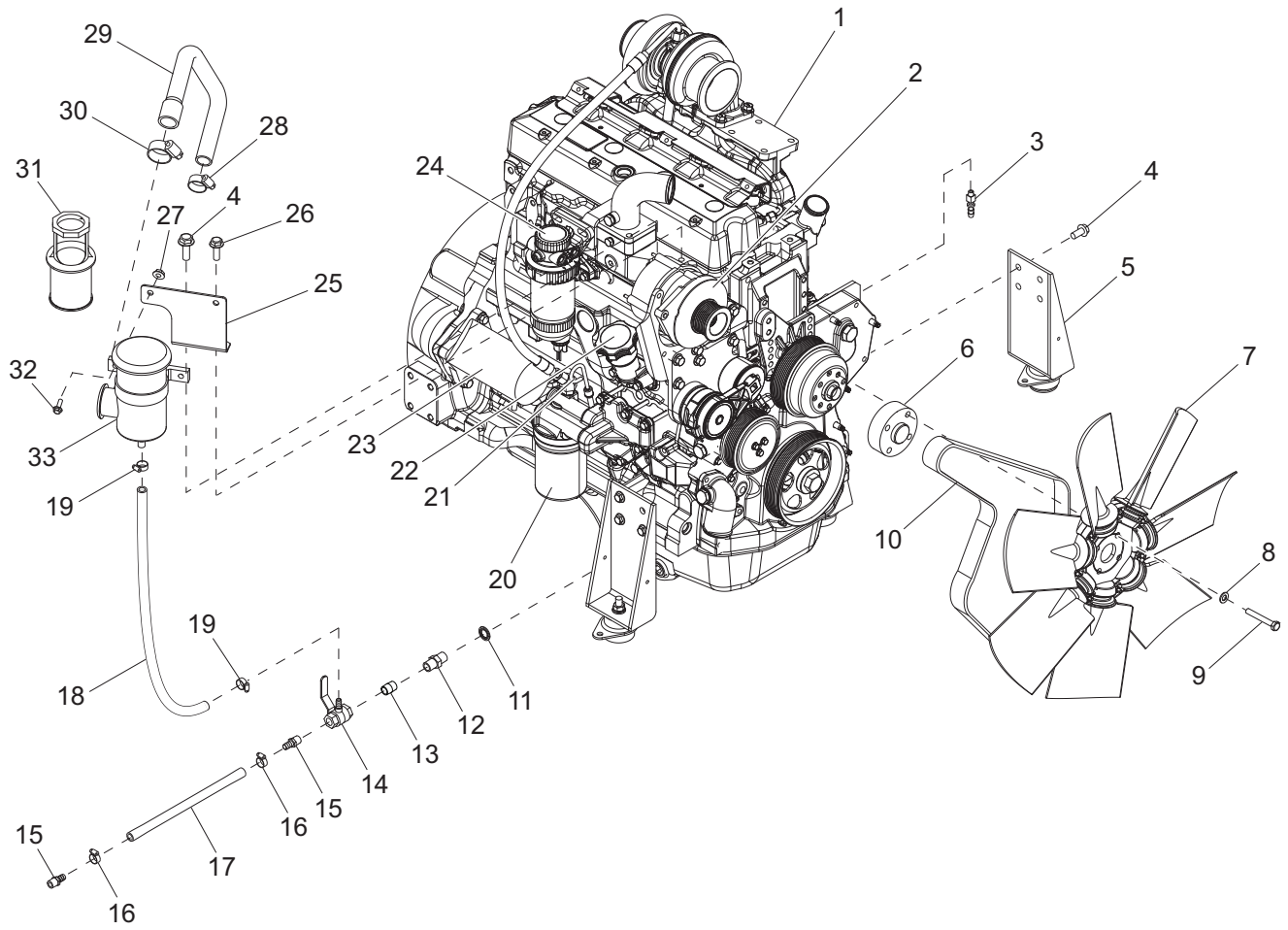
ITEM	PART NO.	QTY	DESCRIPTION	NOTES
1	60018	9	Screw, M10-1.50 x 20 sflg hex, class 90	
2	19042	1	Strap, ground - 10 in	
3	60353	1	Screw, .375-16 x 1.0 flg hex, G2	
4	60053	2	Washer, .375 ext star	
5	60386	1	Washer, .375 flat	
6	60145	1	Nut, .375-16 sflg, G5	
7	60089	2	Washer, .265 fender, 1.250/.060	
8	14682	1	Bracket, battery hold-down	
9	60820	2	Bolt, J - .250-20 x 9.0 w/wing nut	
10	10425	1	Cable, battery - 16 in. black	
11	18693	1	Cable, battery - 38 in. red	

### OPTIONAL FEATURES

#### *Battery Disconnect:*

A	60161	2	Nut, .250-20 sflg, G5
B	21489	1	Battery disconnect switch - 500A cont.
C	60523	2	Screw, .250-20 x .875 sflg hex
D	61091	2	Screw, .312-18 x 1.0 sflg hex, G5
E	23360B	1	Bracket, battery disconnect
F	60095	2	Nut, .312-18 sflg
--	19827	1	Cable, battery - 47 in. black
--	30285	1	Cable, battery - 36 in. black
--	18693	1	Cable, battery - 38 in. red

# ENGINE ASSEMBLY



## ENGINE ASSEMBLY

ITEM	PART NO.	QTY	DESCRIPTION	NOTES
1	26484	1	Engine, Deere 4045TF285 Tier III	
2	23346	1	Alternator, 4045TF275	
3	19268	1	Fitting, fuel return	
4	60072	7	Screw, M12-1.75 x 25 sflg hex, G10.9	
5	Page 62	2	Assembly, engine mount	
6	19818	1	Spacer, fan	MMG75 only
7	26494	1	Fan, engine - 23 in	MMG75 only
8	60027	4	Washer, M10 flat	MMG75 only
9	60152	4	Screw, M10-1.50 x 60 std hex, G8.8	MMG75 only
10	27016	1	Belt, fan	
11	19466	1	Seal, M18	
12	19257	1	Fitting, strt - .500MNPT x M18	
13	60438	1	Fitting, nipple, pipe - .500NPT x close	
14	19279	1	Valve, ball .500FNPT	
15	60502	2	Fitting, strt - .500MNPT x .625 barb, brass	
16	60365	2	Clamp, hose - SAE 010 (.56-1.06)	
17	50201	0.83 ft	Hose, .625 ID, 200 psi, class A	
18	50051	2.50 ft	Hose, .375 ID, 50 psi, SAE 30R7	
19	19453	2	Clamp, hose - SAE 006 (.37-.87)	
20	26817	1	Filter, oil	
21	26600	1	Dipstick, oil fill	
22	22375	1	Cap, engine oil fill (w/gasket)	
23	26818	1	Starter, engine	
24	26597	1	Filter, fuel - primary	
--	24061	1	Thermostat, engine 4045TF	
--	26236	1	Filter, fuel - final	
25	26570B	1	Bracket, OCV system	
26	60018	1	Screw, M10-1.50 x 20 sflg hex, class 90 lb	
27	60020	2	Nut, M8-1.25 sflg, G8.8	
28	60365	1	Clamp, hose - SAE 010 (.56-1.06)	
29	24170	1	Hose, OCV vent	
30	19338	1	Clamp, hose - SAE 016 (.68-1.50)	
31	24552	1	Filter, oil recirculation	
32	60009	2	Screw, M8-1.25 x 25 sflg hex, G8.8	
33	24318	1	Kit, oil vapor recirculation	

### OPTIONAL FEATURES

#### Heated Fuel Filter:

--	27009	1	Heater, fuel filter	
--	27011	1	Harness, filter heater	

#### Heated Oil Vapor Recovery:

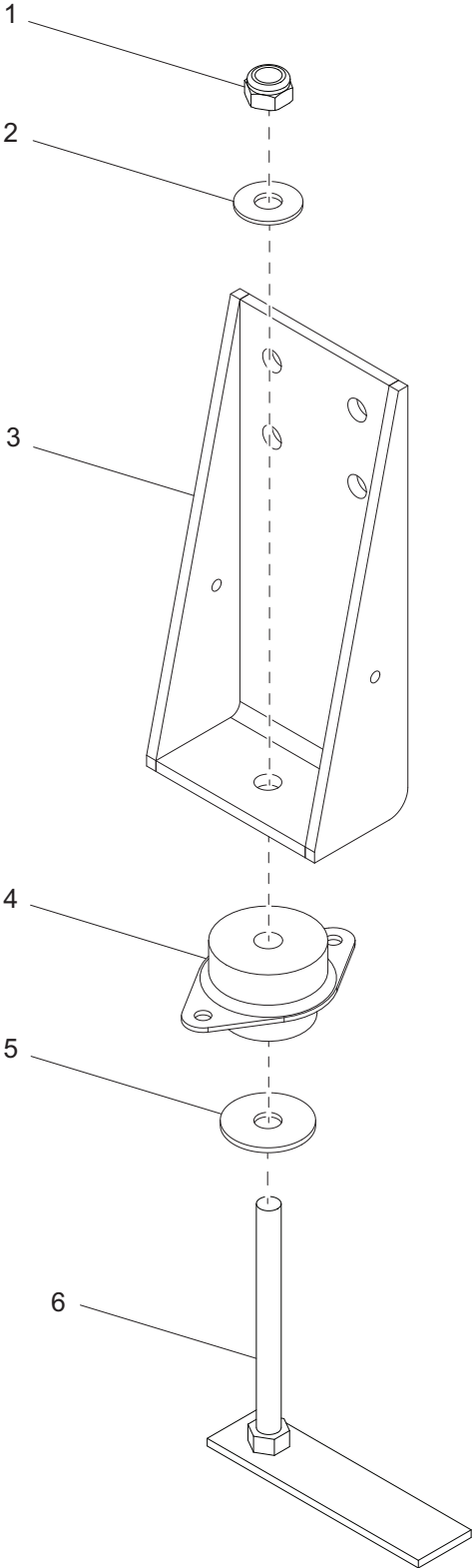
--	27272	1	Heater, oil vapor recovery	MMG75 only
----	-------	---	----------------------------	------------

#### Clutched Fan:

--	Page 66	1	Assembly, clutched fan	
----	---------	---	------------------------	--

**Note:** Engine and generator parts used in all Generac Mobile Products, LLC equipment carry the Original Equipment Manufacturer (OEM) warranty unless otherwise stated. OEM warranty parts must be purchased through an OEM dealer. Please contact Generac Mobile Products, LLC with questions.

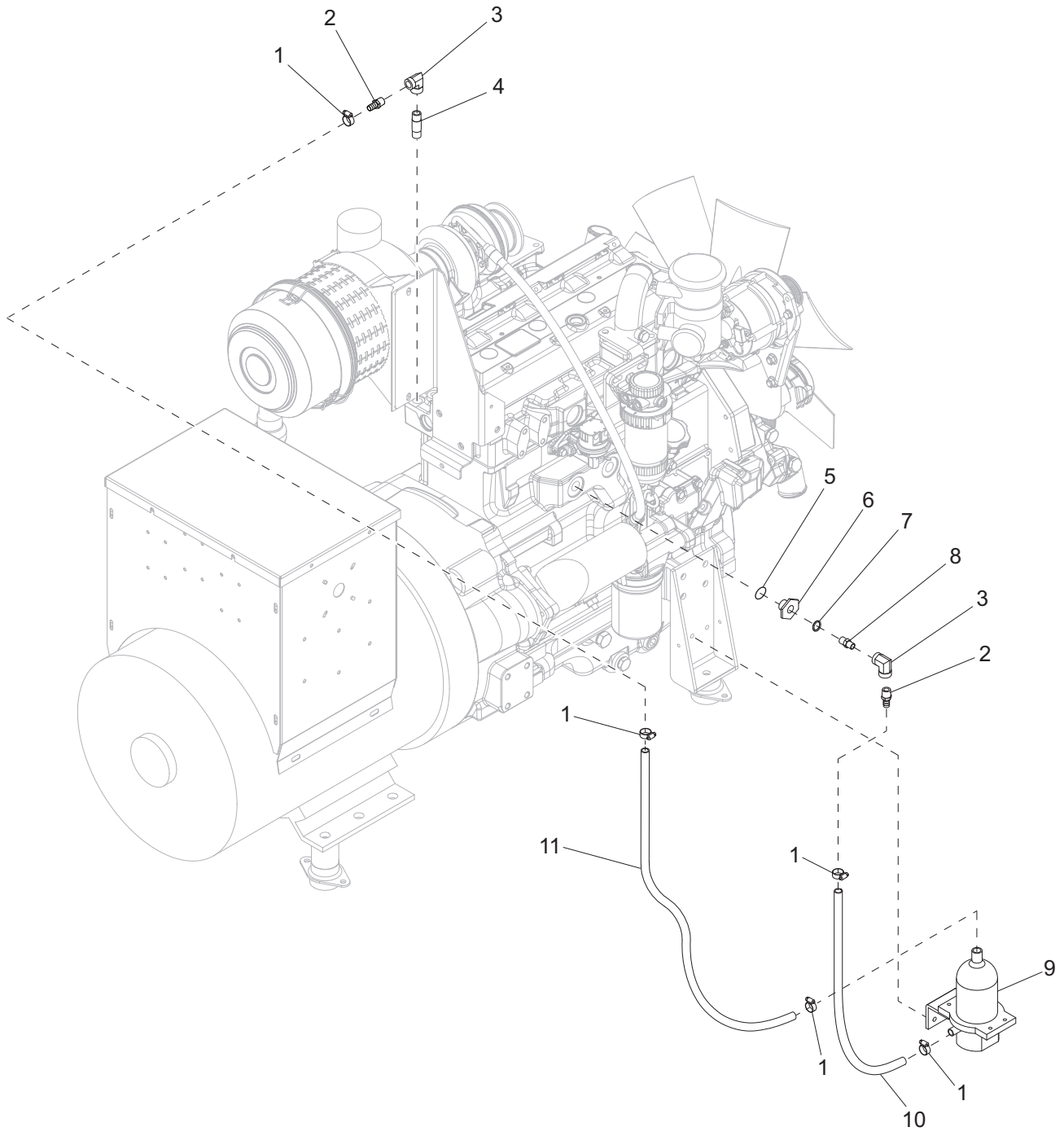
**ENGINE MOUNT ASSEMBLY**



## ENGINE MOUNT ASSEMBLY

ITEM	PART NO.	QTY	DESCRIPTION	NOTES
1	62221	1	Nut, .500-13 nylock, G5	
2	60416	1	Washer, .500 flat 1.375/.090	
3	18013B	1	Weldment, engine mount	
4	18083	1	Isolator, rubber - 570/380 lbs	
5	18085	1	Washer, .510 snub 2.0/.130	
6	27034	1	Weldment, anti-turn bolt - 1/2 in. x 3.50	
-	18409	2	Assembly, engine mount	Items 1 - 6

# HOTSTART ASSEMBLY

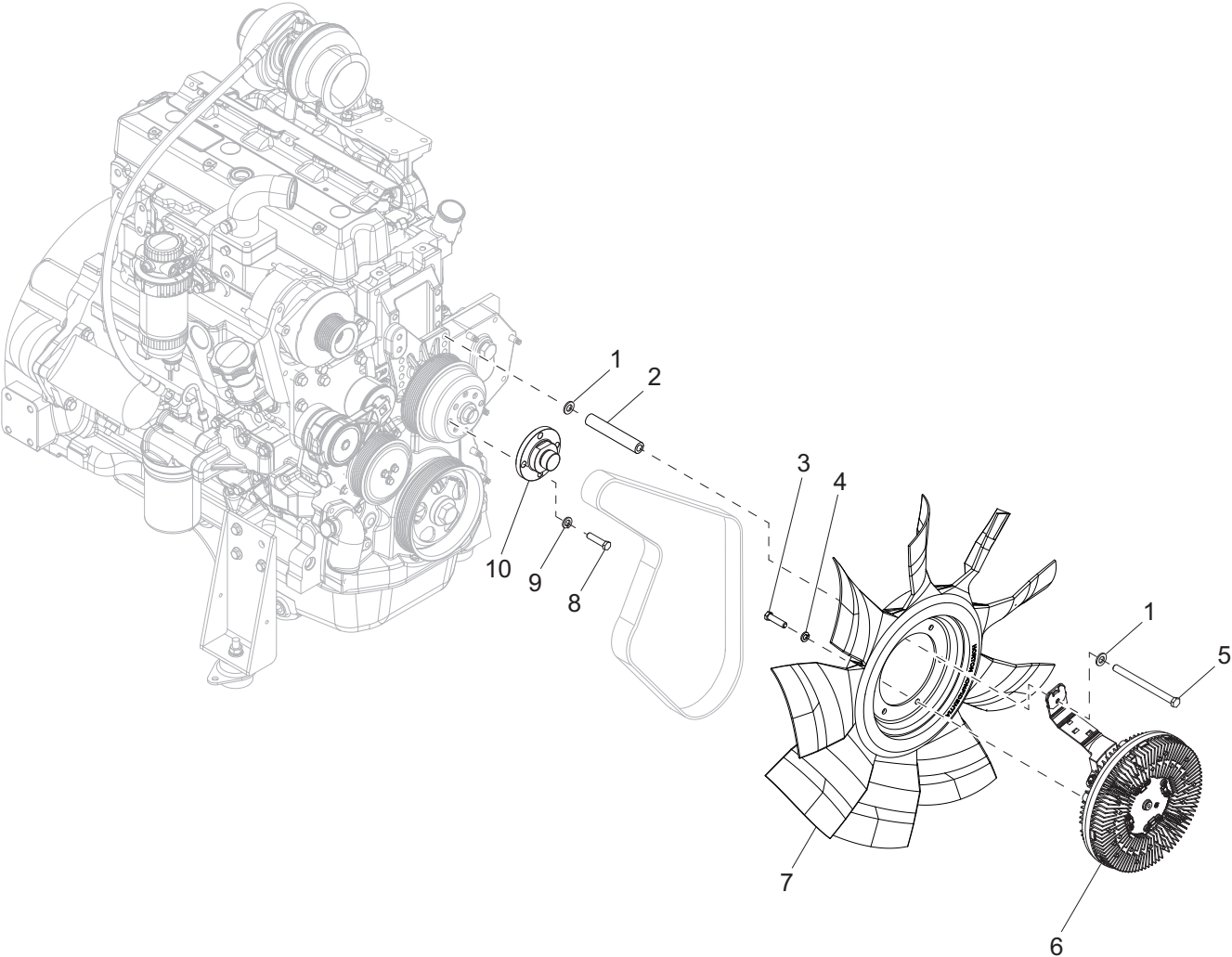




## HOTSTART ASSEMBLY

ITEM	PART NO.	QTY	DESCRIPTION	NOTES
1	60365	4	Clamp, hose - SAE 010 (.56-1.06)	
2	60502	2	Fitting, strt - .500MNPT x .625 barb, brass	
3	22462	2	Fitting, 90° - .500FNPT x .500FNPT, brass	
4	60438	1	Fitting, nipple, pipe - .500NPT x close	
5	22589	1	O-ring, 1.625 in	
6	22588	1	Fitting, strt - 1.625 x M18	
7	19466	1	Seal, M18	
8	19257	1	Fitting, strt - .500MNPT x M18 - O-ring seal	
9	25938	1	Heater, coolant, 200-300CI	
10	50201	2 ft	Hose, coolant - .625 ID, 200 psi, class A	
11	50201	3.92 ft	Hose, coolant - .625 ID, 200 psi, class A	
--	66658	6 ft	Loom, wire - 1.06 ID - corrugated	

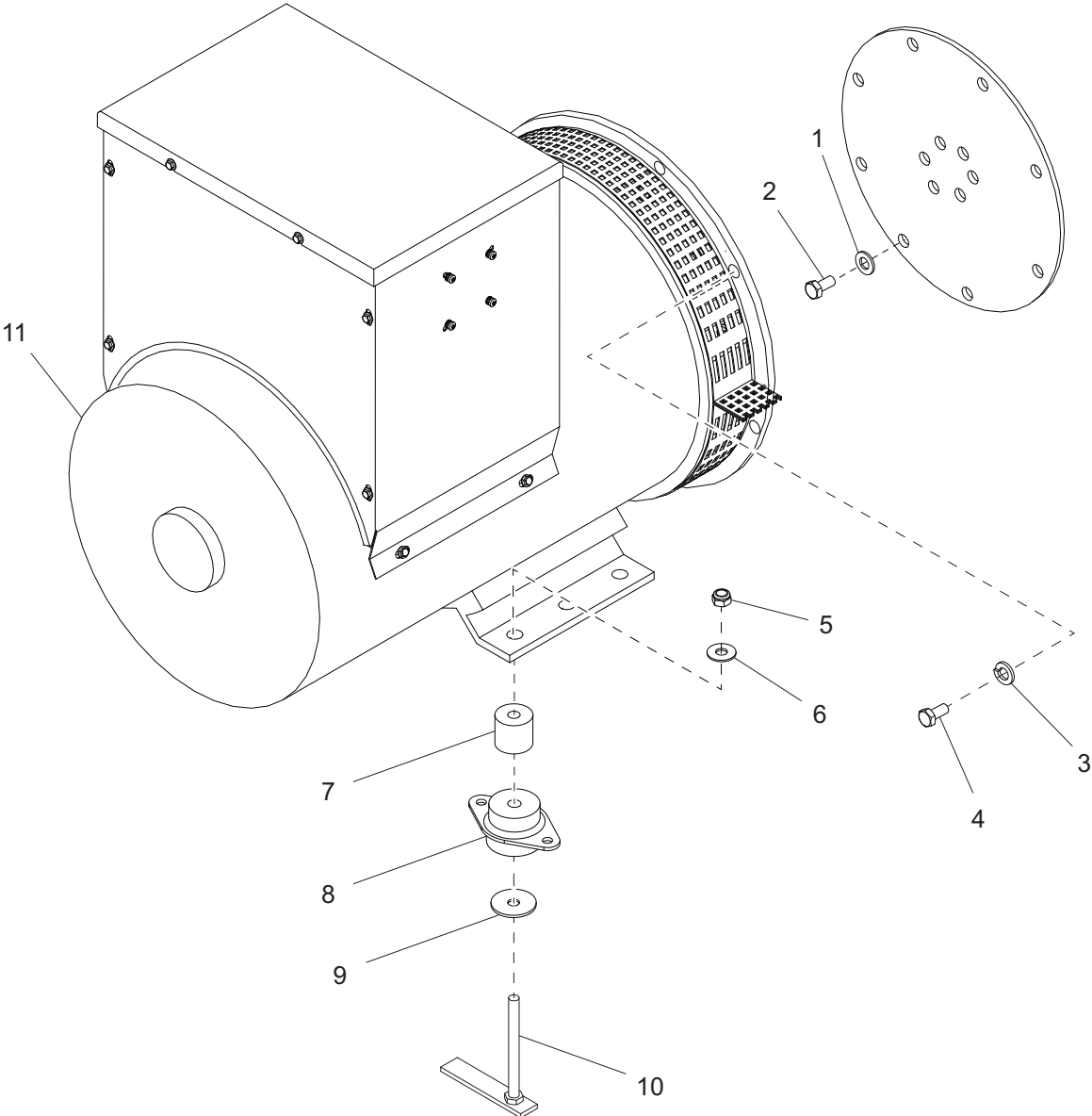
**CLUTCHED FAN ASSEMBLY - MMG75CAN, MMG75CAN6**



## CLUTCHED FAN ASSEMBLY - MMG75CAN, MMG75CAN6

ITEM	PART NO.	QTY	DESCRIPTION	NOTES
1	60386	2	Washer, .375 flat	
2	30781B	1	Spacer, .750 OD .438 ID 4.38 long	
3	60339	6	Screw, M8-1.25 x 20 std hex, SS	
4	60341	6	Washer, M8 split lock, SS	
5	63227	1	Screw, M10-1.50 x 140 std hex, G8.8	
6	30268	1	Clutch, fan - for 23/26 in. 4.5L engine	
7	30269	1	Fan, 23 in. for clutch 30268	
8	60177	4	Screw, M10-1.50 x 30 std hex, G10.9	
9	60026	4	Washer, M10 split lock	
10	30261	1	Hub, fan clutch mount - .88 thk-30mm	
--	67863	1	Harness, clutch fan - control box	
--	66737	1	Harness, clutch fan - fan assembly	
--	30371	1	Assembly, clutched fan	Items 1 - 8

# GENERATOR ASSEMBLY



## GENERATOR ASSEMBLY

ITEM	PART NO.	QTY	DESCRIPTION	NOTES
1	60151	8	Washer, .375 flat .810/.060	
2	60179	8	Screw, .375-16 x .750 std hex, G8	
3	60026	12	Washer, M10 split lock	
4	60055	12	Screw, M10-1.50 x 35 std hex, G10.9	
5	62221	2	Nut, .500-13 nylock, G5	
6	60416	2	Washer, .500 flat 1.375/.090	
7	18060B	2	Spacer, 2.0 ODX 1.94 LG - generator	
8	18083	2	Isolator, rubber 570/380 lbs	
9	18085	2	Washer, .510 snub 2.0/.130	
10	26930	2	Weldment, anti-turn bolt - 1/2 in. x 5.50	
11	24489	1	Generator, Marathon, 361PSL1602	MMG75 & MMG75CAN
--	34196	1	Generator, Marathon, 361PSL1670	MMG75CAN6

### OPTIONAL FEATURES

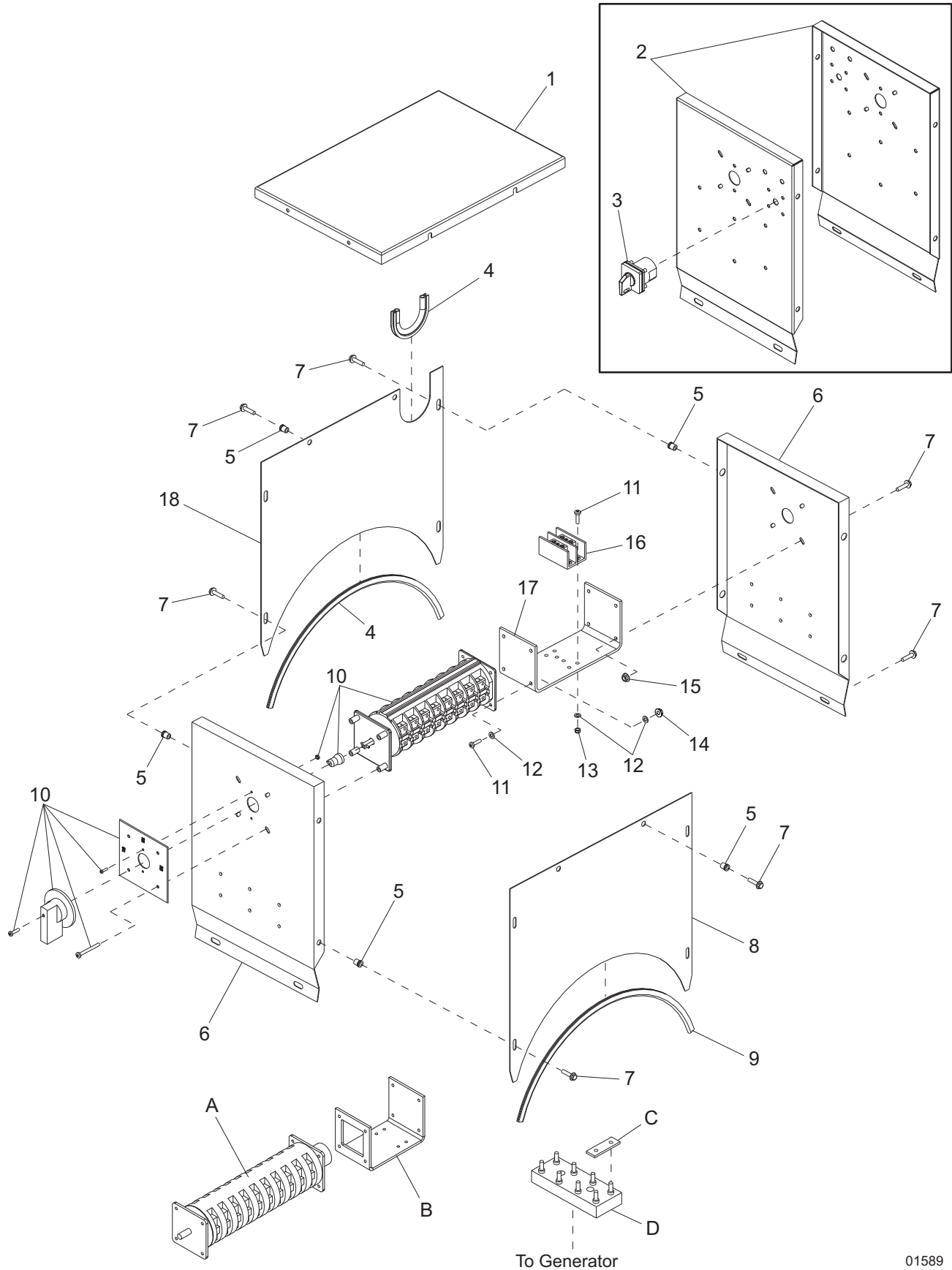
#### *Super Start:*

--	22098	1	Generator, Marathon, 363PSL1607
----	-------	---	---------------------------------

**Note:** Engine and generator parts used in all Generac Mobile Products, LLC equipment carry the Original Equipment Manufacturer (OEM) warranty unless otherwise stated. OEM warranty parts must be purchased through an OEM dealer. Please contact Generac Mobile Products, LLC with questions.

# GENERATOR BOX ASSEMBLY

*With Phase Switch*



01589

## GENERATOR BOX ASSEMBLY

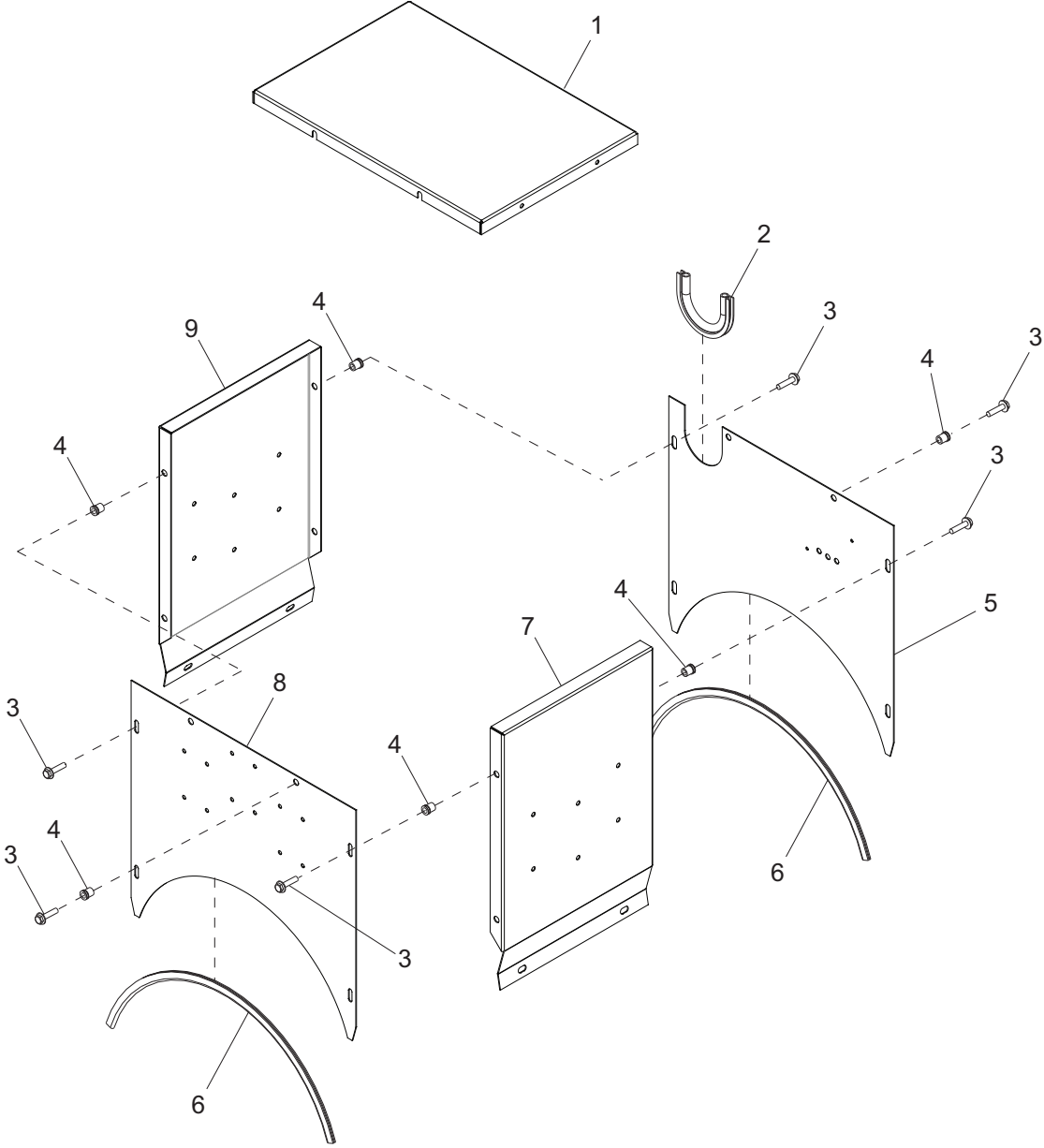
ITEM	PART NO.	QTY	DESCRIPTION	NOTES
1	18775B	1	Panel, generator box - top	
2	34212B	2	Panel, generator box 600V - side	MMG75CAN6 only
3	67092	1	Switch, phase - 2 pos. lockable	MMG75CAN6 only
--	65850	2	Breaker, 10A/240V, 1-pole push button	MMG75CAN6 only
4	19222	1	Seal, generator box	
5	62132	8	Insert, thrd .250-20 splined .027-.165 grip	
6	18763B	2	Panel, generator box - side	MMG75 & MMG75CAN only
7	60115	20	Screw, M6-1.0 x 12 sflg hex, G8.8	
8	18769B	1	Panel, generator box - rear	
9	19046	2ft	Seal, generator box	
10	65500	1	Switch, phase - 125A, 3 pos	
11	60156	8	Screw, M5-0.80 x 16 pan phil, G4.8	
12	60041	8	Washer, M5 flat	
13	60038	8	Nut, M5-0.80 nylock	
14	61045	4	Nut, 10-32 sflg	
15	60036	4	Nut, M6-1.0 sflg, G8.8	
16	19368	1	Block, terminal - 2-pole lug	
17	23395B	1	Bracket, phase selector switch	
18	18772B	1	Panel, generator box - front	
--	18482	1	Assembly, generator box	MMG75 & MMG75CAN
--	34210	1	Assembly, generator box	MMG75CAN6

### OPTIONAL FEATURES

#### 4 Position Phase Switch:

A	65667	1	Switch, phase - 125A
B	28512B	1	Bracket, phase switch
C	18935	2	Lug, switch extension terminal
D	65740	1	Lug block, 8 stud
--	19368	1	Block, terminal - 2-pole lug type
--	65659	1	Relay, DPDT, 12VDC - 8 pos
--	65644	1	Relay, base - 8 pos
--	28511	1	Assembly, generator box - 4 pos. phase switch

**GENERATOR BOX ASSEMBLY OPTION - MMG75, MMG75CAN**  
*Without Phase Switch*

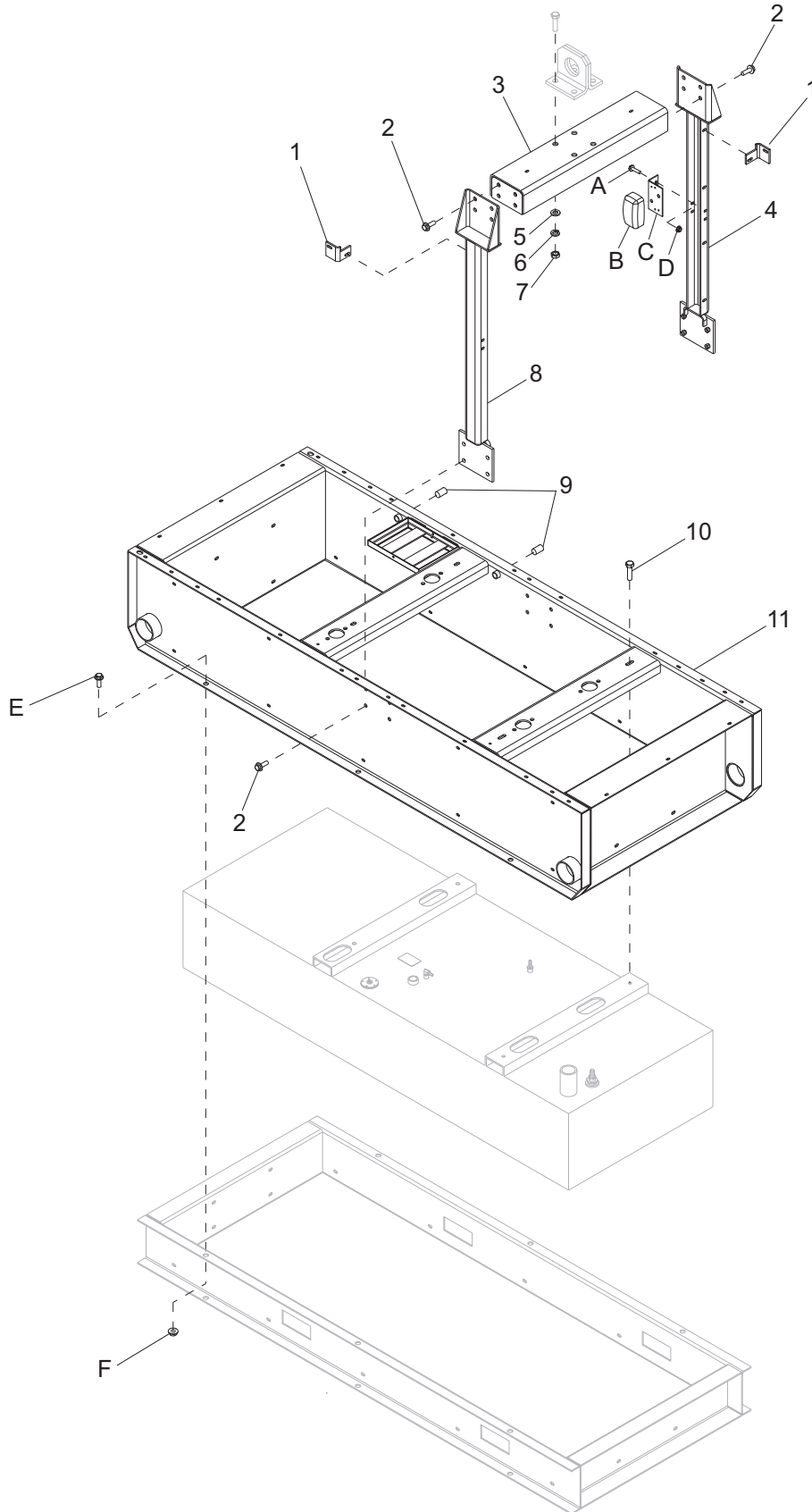




**GENERATOR BOX ASSEMBLY OPTION - MMG75, MMG75CAN**  
*Without Phase Switch*

ITEM	PART NO.	QTY	DESCRIPTION	NOTES
1	18775B	1	Panel, generator box - top	
2	19222	1	Seal, generator box	
3	60087	12	Screw, M6-1.00 x 16 sflg hex G8.8	
4	62132	8	Insert, thrd .250-20 splined - .027-.165 grip	
5	18772B	1	Panel, generator box - front	
6	19046	2	Seal, generator box	
7	23409B	2	Panel, generator box - side	
8	18769B	1	Panel, generator box - rear	
--	23410	1	Assembly, generator box	Items 1 - 8

# SKID & LIFT STRUCTURE ASSEMBLY



01590

## SKID & LIFT STRUCTURE ASSEMBLY

ITEM	PART NO.	QTY	DESCRIPTION	NOTES
1	20785B	2	Brace, side	
2	60202	16	Screw, M12-1.75 x 35 sflg hex, G10.9	
3	26844B	1	Weldment, lift channel	
4	20241B	1	Weldment, door post - right	
5	60527	4	Washer, .750 flat 1.50/.125	
6	60248	4	Washer, .750 split lock	
7	60249	4	Nut, .750-10 hex, G8	
8	20242B	1	Weldment, door post - left	
9	18394	2	Fitting, plug - .500NPT x internal hex	
10	60323	4	Screw, .375-16 x 1.50 std hex, G8	
	60206	4	Washer, .375 split lock	
	60729	4	Washer, .375 fender 1.50/.090	
11	22369B	1	Weldment, skid	

### OPTIONAL FEATURES

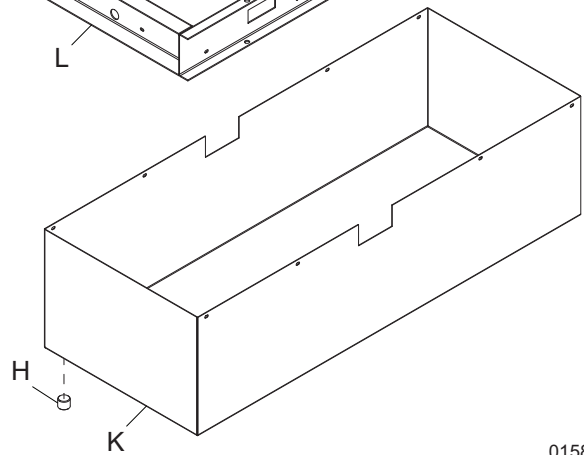
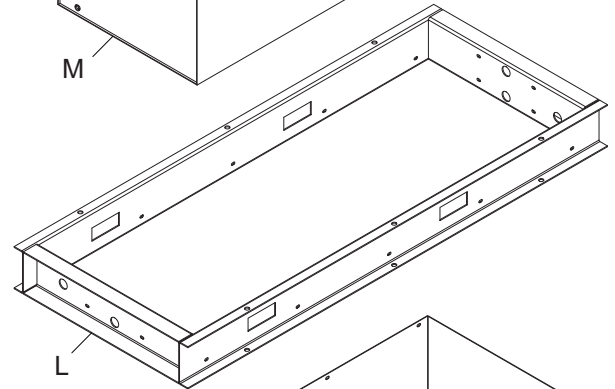
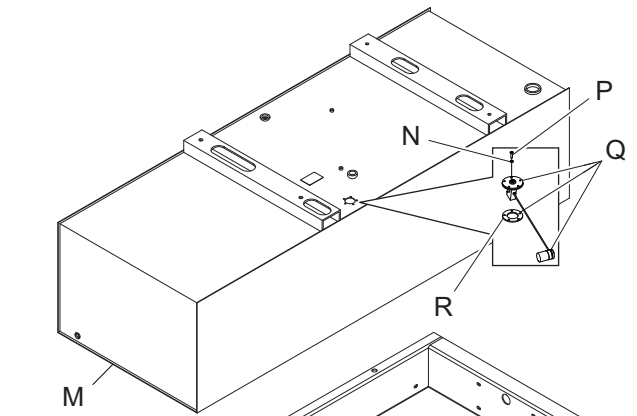
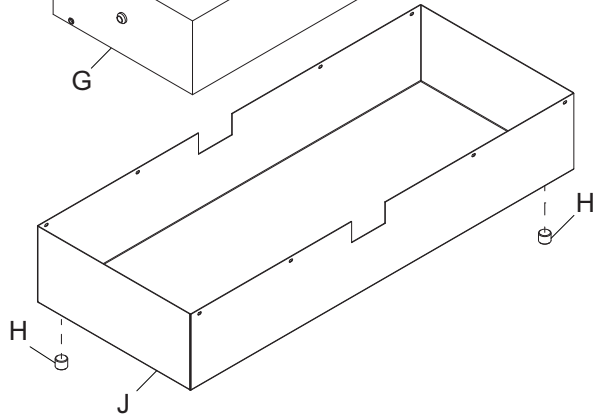
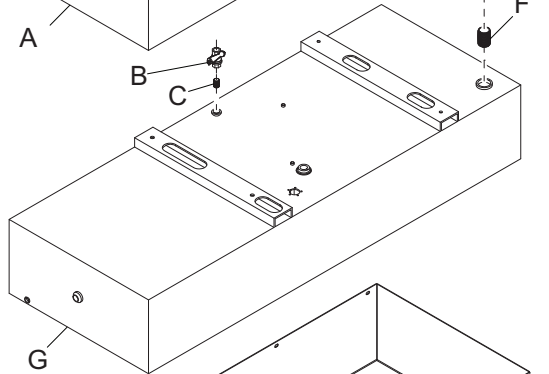
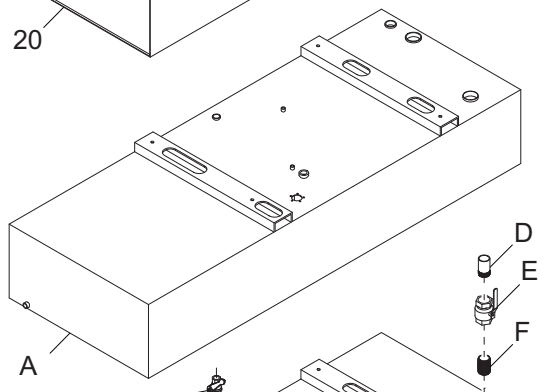
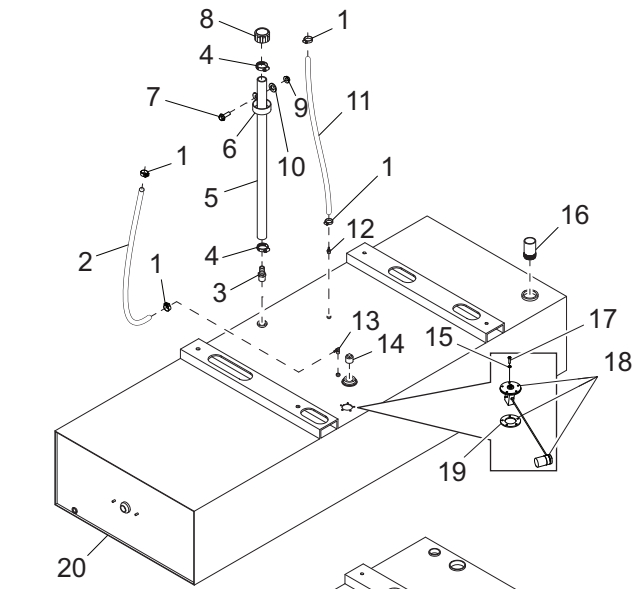
#### *Interior Lights:*

A	61091	4	Screw, .312-18 x 1.0 sflg hex, G8
B	11947	2	Light, interior w/switch
C	23528B	2	Bracket, interior light
D	60095	2	Nut, .312-18 sflg
--	65932	1	Harness, light option

#### *36 Hour Tank:*

E	60451	6	Screw, .375-16 x .625 flg hex
F	60145	6	Nut, .375-16 sflg, G5

# FUEL TANK ASSEMBLY - MMG75



01586

## FUEL TANK ASSEMBLY - MMG75

ITEM	PART NO.	QTY	DESCRIPTION	NOTES
1	63250	4	Clamp, hose - size 16, spring type	
2	50018	3 ft	Hose, fuel - .312 ID, 50 psi, SAE 30R7	
3	21451	1	Fitting, strt - 1.0MNPT x 1.0 barb	
4	19338	2	Clamp, hose - SAE 016 (.68-1.50)	
5	50019	4 ft	Hose, fuel - 1.0, SAE 20R3	
6	60716	1	Clamp, tubing - 1.50 lt duty	
7	61091	1	Screw, .312-18 x 1.0 sflg hex, G5	
8	26379	1	Vent, plastic fuel - 1.0 ID	
9	60095	1	Nut, .312-18 sflg	
10	60119	1	Washer, .312 flat .875/.070	
11	50018	3.41 ft	Hose, fuel - .312 ID, 50 psi, SAE 30R7	
12	19180	1	Fitting, strt - .375MNPT x .312 barb	
13	19295	1	Fitting, 90° - .250MNPT x .250 barb, brass	
14	60988	1	Fitting, plug - 1.0NPT square drive	
15	60252	5	Washer, #10 split lock	
16	19778	1	Fitting, nipple, pipe - 2.0NPT x 4.0	
17	60062	5	Screw, 10-32 x .750 pan phil, G2	
18	20571	1	Sender, fuel - 10-15 in. tank	
19	22323	1	Gasket, fuel sending unit	
20	22880B	1	Tank, fuel - 24 hr run	

### OPTIONAL FEATURES

#### 100 Gallon Double Wall Tank:

A	23447B	1	Tank, fuel - 100 gal., double wall
---	--------	---	------------------------------------

#### TC Rated Tank:

B	40230	1	Valve, ball - 1.0NPT, female
C	40276	1	Fitting, nipple, pipe - 1.0NPT x close
D	19778	1	Fitting, nipple, pipe - 2.0NPT x 4.0
E	40229	1	Valve, ball - 2.0NPT - female
F	21127	2	Fitting, nipple, pipe - 2.0NPT x close
G	30168B	1	Tank, fuel - UN31A, 143 gal

#### Containment:

H	65784	2	Fitting, plug - 2.0NPT flush mount w/hex soc
J	23451B	1	Pan, 24 hr containment

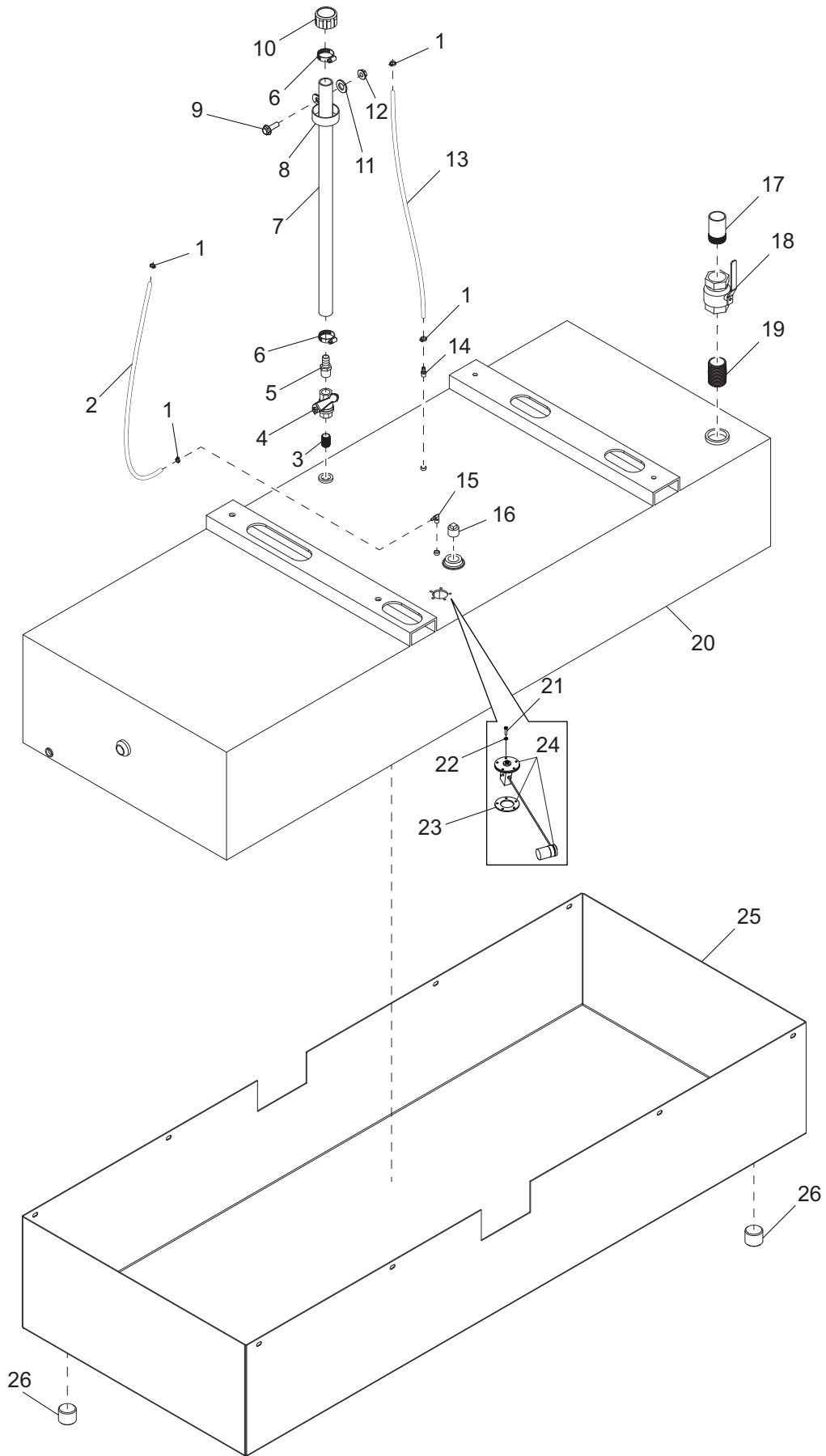
#### 36 Hour Containment:

K	23493B	1	Pan, 36 hr containment
---	--------	---	------------------------

#### 36 Hour Tank:

L	23131B	1	Weldment, adapter skid
M	23093B	1	Tank, fuel - 36 hr run
N	60252	5	Washer, #10 split lock
P	60037	5	Screw, M5-.80 x 20 pan phil, G4.8
Q	21206	1	Sender, fuel - 16-24 in
R	22323	1	Gasket, fuel sending unit

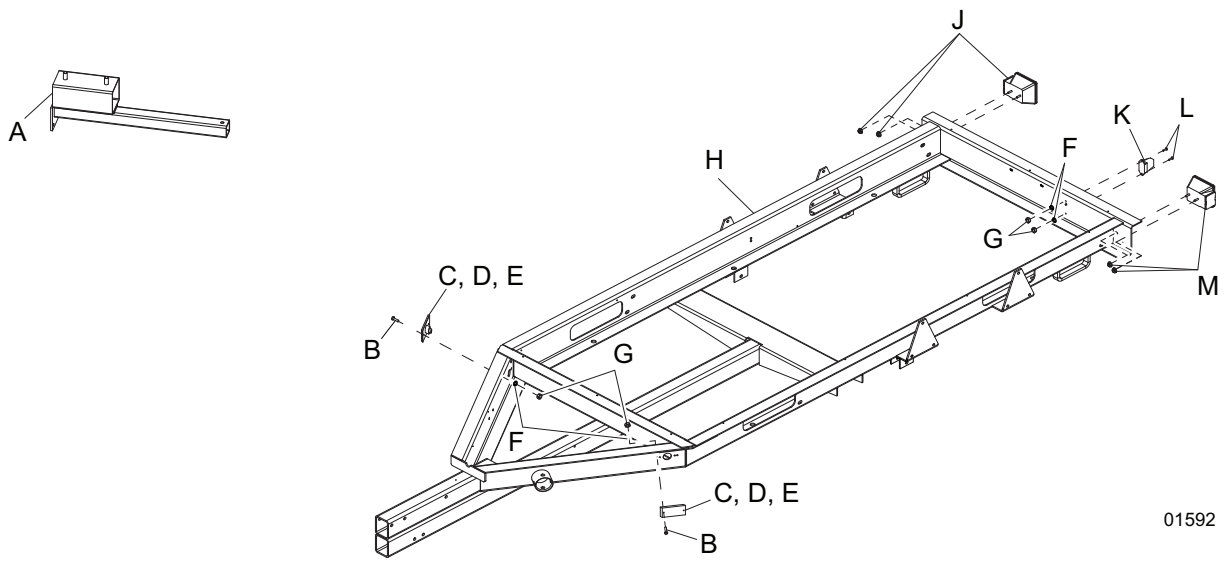
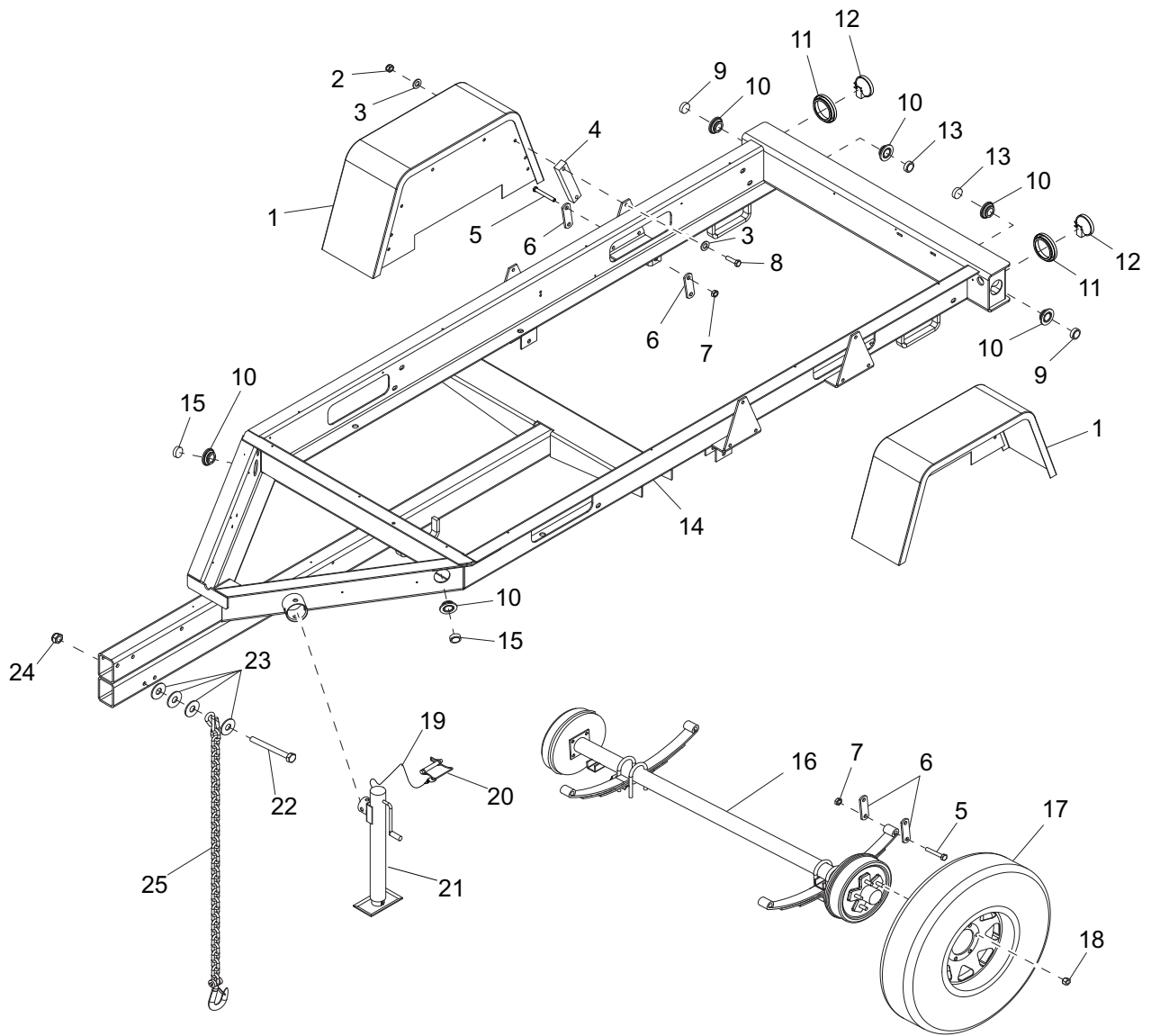
# FUEL TANK ASSEMBLY - MMG75CAN, MMG75CAN6



## FUEL TANK ASSEMBLY - MMG75CAN, MMG75CAN6

ITEM	PART NO.	QTY	DESCRIPTION	NOTES
1	63250	4	Clamp, hose - size 16, spring type	
2	50018	3 ft	Hose, fuel - .312 ID, 50 psi, SAE 30R7	
3	40276	1	Fitting, nipple, pipe - 1.0NPT x close	
4	40230	1	Valve, ball - 1.0NPT, female	
5	21451	1	Fitting, strt - 1.0MNPT x 1.0 barb	
6	19338	2	Clamp, hose - SAE 016 (.68-1.50)	
7	50019	4 ft	Hose, fuel - 1.0, SAE 20R3	
8	60716	1	Clamp, tubing - 1.50 lt duty	
9	61091	1	Screw, .312-18 x 1.0 sflg hex, G5	
10	26379	1	Vent, plastic fuel - 1.0 ID	
11	60119	1	Washer, .312 flat .875/.070	
12	60095	1	Nut, .312-18 sflg	
13	50018	3.41 ft	Hose, fuel - .312 ID, 50 psi, SAE 30R7	
14	19180	1	Fitting, strt - .375MNPT x .312 barb	
15	19295	1	Fitting, 90° - .250MNPT x .250 barb, brass	
16	60988	1	Fitting, plug - 1.0NPT square drive	
17	19778	1	Fitting, nipple, pipe - 2.0NPT x 4.0	
18	40229	1	Valve, ball - 2.0NPT - female	
19	21127	2	Fitting, nipple, pipe - 2.0NPT x close	
20	30168B	1	Tank, fuel - UN31A, 143 gal	
21	60062	5	Screw, 10-32 x .750 pan phil, G2	
22	60252	5	Washer, #10 split lock	
23	22323	1	Gasket, fuel sending unit	
24	20571	1	Sender, fuel - 10-15 in. tank	
25	23451B	1	Pan, 24 hr containment	
26	65784	2	Fitting, plug - 2.0NPT flush mount w/hex soc	

# TRAILER ASSEMBLY - SINGLE AXLE



01592



## TRAILER ASSEMBLY - SINGLE AXLE

ITEM	PART NO.	QTY	DESCRIPTION	NOTES
1	22743B	2	Fender, single wheel	
2	60303	8	Nut, .312-18 nylock, G2	
3	60340	16	Washer, .312 flat .875/.040, SS	
4	23500B	4	Bracket, fender extension	
5	60503	6	Screw, shackle, .562-18 x 3.0 std hex, G5	
6	19637	4	Plate, shackle bracket	
7	60504	6	Nut, shackle, .562-18 hex	
8	60785	8	Screw, .312-18 x 2.0 std hex, SS	
9	66703	2	Light, clearance, 2.0 - no grommet - red LED	
10	66394	6	Grommet, sealed beam light, rubber - 2.0	
11	10221	2	Grommet, rear light, rubber - 4.5	
12	66701	2	Light, rear tail/turn, round 4.0 - no grommet	
13	66704	2	Light, utility, 2.0 - no grommet - clear LED	
14	33273B	1	Weldment, trailer - single axle	
15	66702	2	Light, clearance, 2.0 - no grommet - amber LED	
16	Page 84	1	Assembly, axle - single	
17	18377	2	Wheel, ST225/75R15	
18	60096	12	Nut, .500-20 wheel lug	Included w/axle
19	13944	1	Tether, Cable 11.5 in.	
20	23256	1	Pin, jack - tube mounted	
21	11978	1	Jack, side wind - 2000 lb, tube mounted	
22	60376	2	Screw, .500-13 x 4.50 std hex, G5	
23	60193	8	Washer, M16 flat	
24	60240	2	Nut, .625-11 nylock, G5	
25	23367	2	Chain, safety - 7800 lbs rated	
--	23172	1	Harness, wiring	
--	13050	1	Assembly, jack - 2000 lb top wind, tube mounted	Items 19 - 21

### OPTIONAL FEATURES

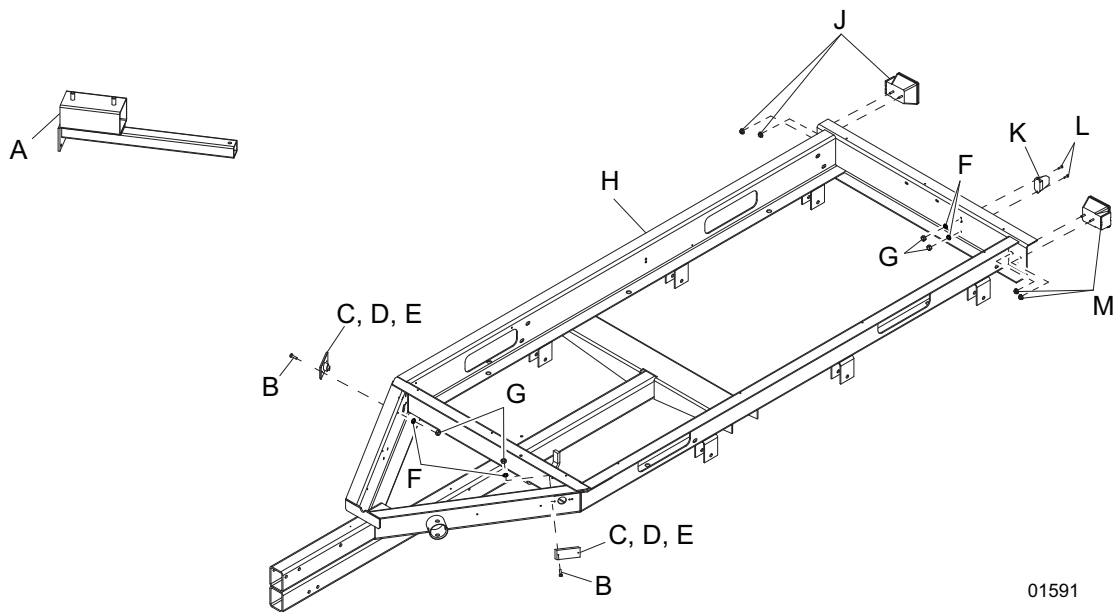
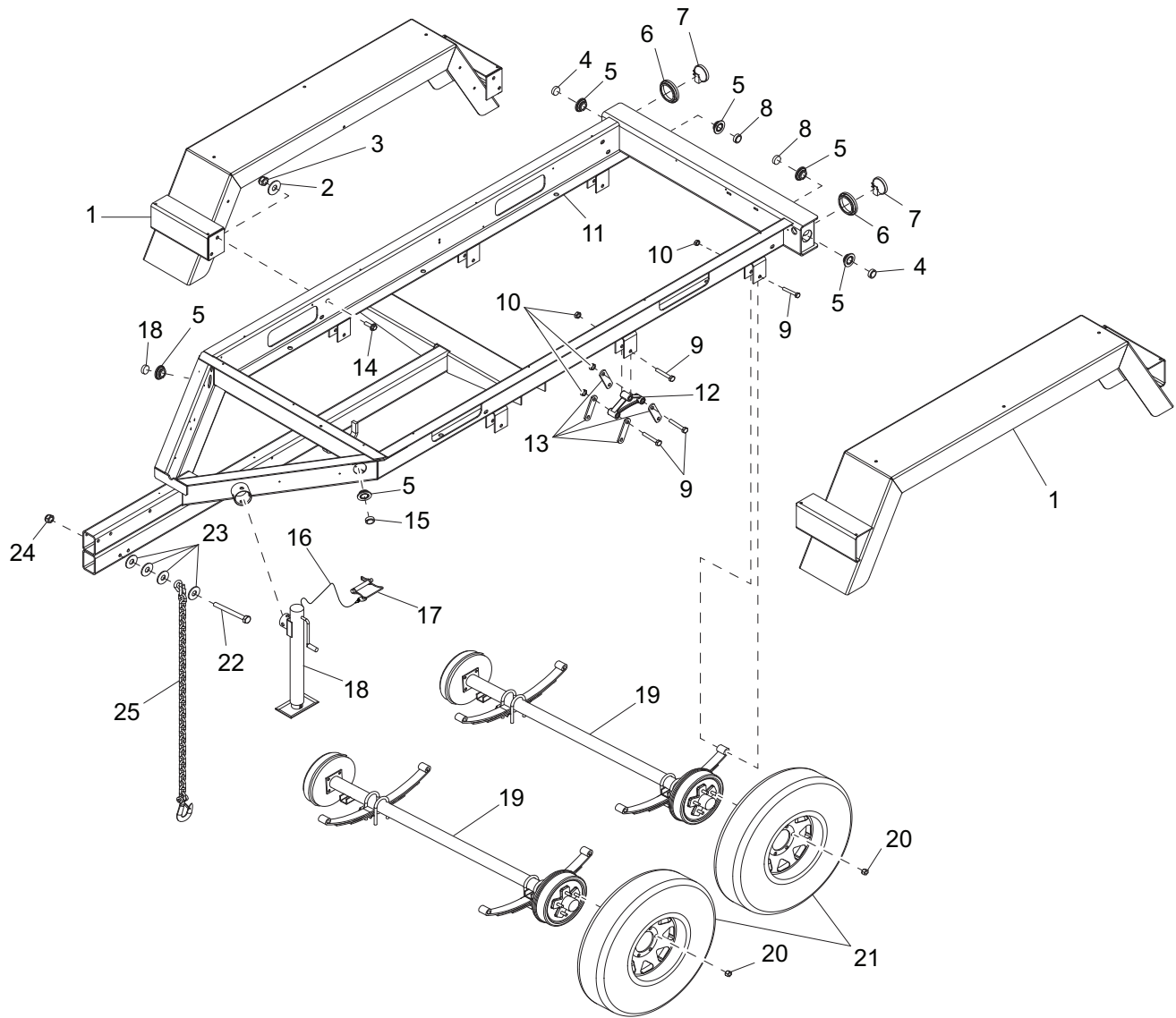
#### Spare Tire:

A 24534B 1 Weldment, spare tire carrier

#### Incandescent Lights:

B 60406 4 Screw, 8-32 x 1.0 pan phil, G2  
 C 66373 2 Lens, clearance marker light - amber  
 D 65661 2 Bulb, clearance marker light  
 E 65662 2 Plug, clearance marker light  
 -- 65407 2 Light, clearance marker - amber Items C - E  
 F 60236 6 Washer, #8 split lock  
 G 60318 6 Nut, 8-32 hex, G5  
 H 23216B 1 Weldment, trailer - single axle  
 J 65448 1 Light, stop/turn/tail - right, waterproof  
 K 65605 1 Light, license plate - 12V  
 L 60244 2 Screw, 8-32 x .750 pan phil, G2  
 M 65449 1 Light, stop/turn/tail - left, waterproof

# TRAILER ASSEMBLY - TANDEM AXLE



01591

## TRAILER ASSEMBLY - TANDEM AXLE

ITEM	PART NO.	QTY	DESCRIPTION	NOTES
1	23141B	2	Weldment, fender	
2	60416	8	Washer, .500 flat 1.375/.090	
3	62221	8	Nut, .312-13 nylock, G5	
4	66703	2	Light, clearance, 2.0 - no grommet - red LED	
5	66394	6	Grommet, sealed beam light, rubber - 2.0	
6	10221	2	Grommet, rear light, rubber - 4.5	
7	66701	2	Light, rear tail/turn, round 4.0 - no grommet	
8	66704	2	Light, utility, 2.0 - no grommet - clear LED	
9	60503	6	Screw, shackle, .562-18 x 3.0 std hex, G5	
10	60504	6	Nut, shackle, .562-18 hex	
11	23575B	1	Weldment, tandem w/equalizer	
12	40545	2	Equalizer, tandem axle - 5.625	
13	19637	8	Plate, shackle bracket	
14	61103	8	Screw, .500-13 x 1.750 sflg hex	
15	66702	2	Light, clearance, 2.0 - no grommet - amber LED	
16	13944	1	Tether, Cable 11.5 in.	
17	23256	1	Pin, jack - tube mounted	
18	11978	1	Jack, side wind - 2000 lb, tube mounted	
19	Page 86	2	Assembly, axle - tandem	
20	60096	12	Nut, .500-20 wheel lug	Included w/axle
21	15540	4	Wheel, ST205 x 75R15	
22	60376	2	Screw, .500-13 x 4.50 std hex, G5	
23	60193	8	Washer, M16 flat	
24	60240	2	Nut, .625-11 nylock, G5	
25	23367	2	Chain, safety - 7800 lbs rated	
--	23172	1	Harness, wiring	
--	13050	1	Assembly, jack - 2000 lb top wind, tube mounted	Items 18 - 20

### OPTIONAL FEATURES

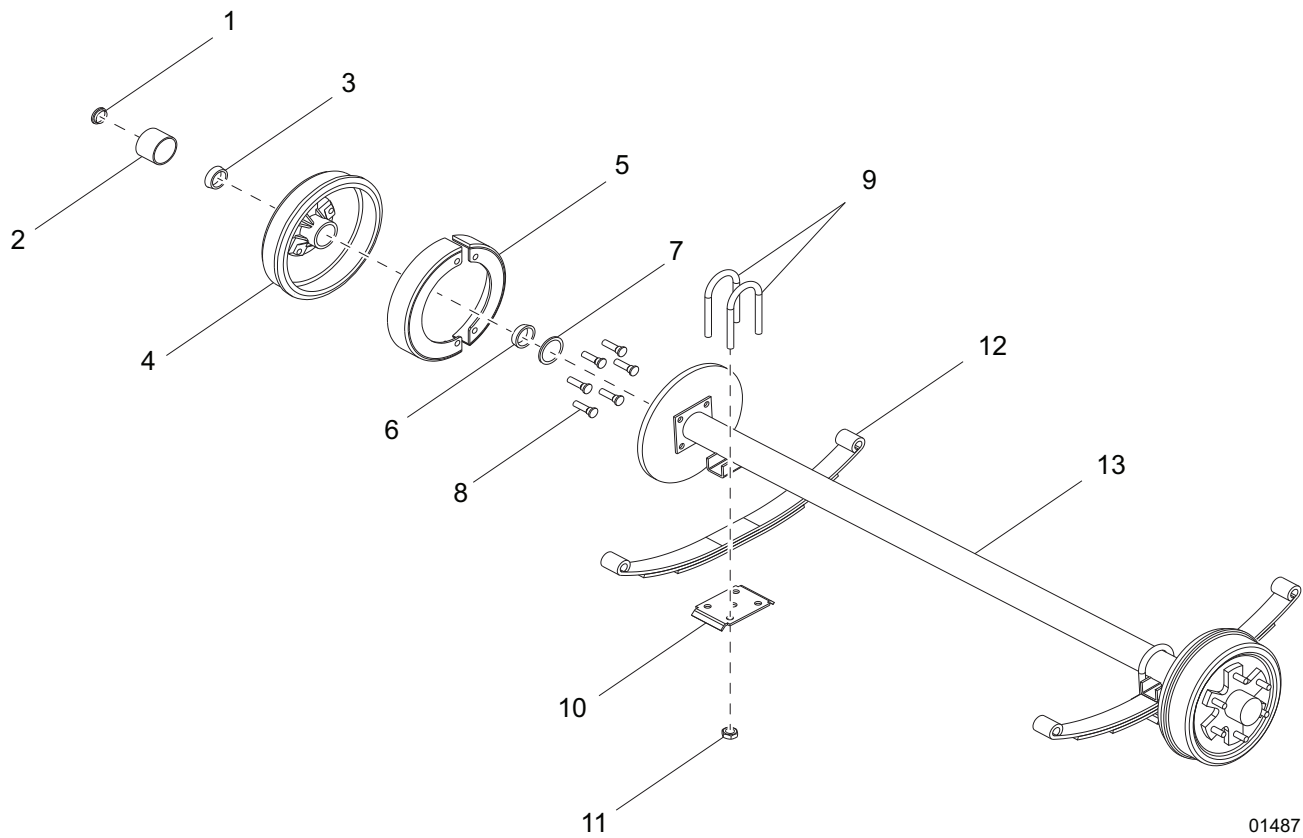
#### Spare Tire:

A	24711B	1	Weldment, spare tire carrier
---	--------	---	------------------------------

#### Incandescent Lights:

B	60406	4	Screw, 8-32 x 1.0 pan phil, G2	
C	66373	2	Lens, clearance marker light - amber	
D	65661	2	Bulb, clearance marker light	
E	65662	2	Plug, clearance marker light	
--	65407	2	Light, clearance marker - amber	Items C - E
F	60236	6	Washer, #8 split lock	
G	60318	6	Nut, 8-32 hex, G5	
H	23575B	1	Weldment, trailer - single axle	
J	65448	1	Light, stop/turn/tail - right, waterproof	
K	65605	1	Light, license plate - 12V	
L	60244	2	Screw, 8-32 x .750 pan phil, G2	
M	65449	1	Light, stop/turn/tail - left, waterproof	

# AXLE ASSEMBLY - SINGLE



01487

## AXLE ASSEMBLY - SINGLE

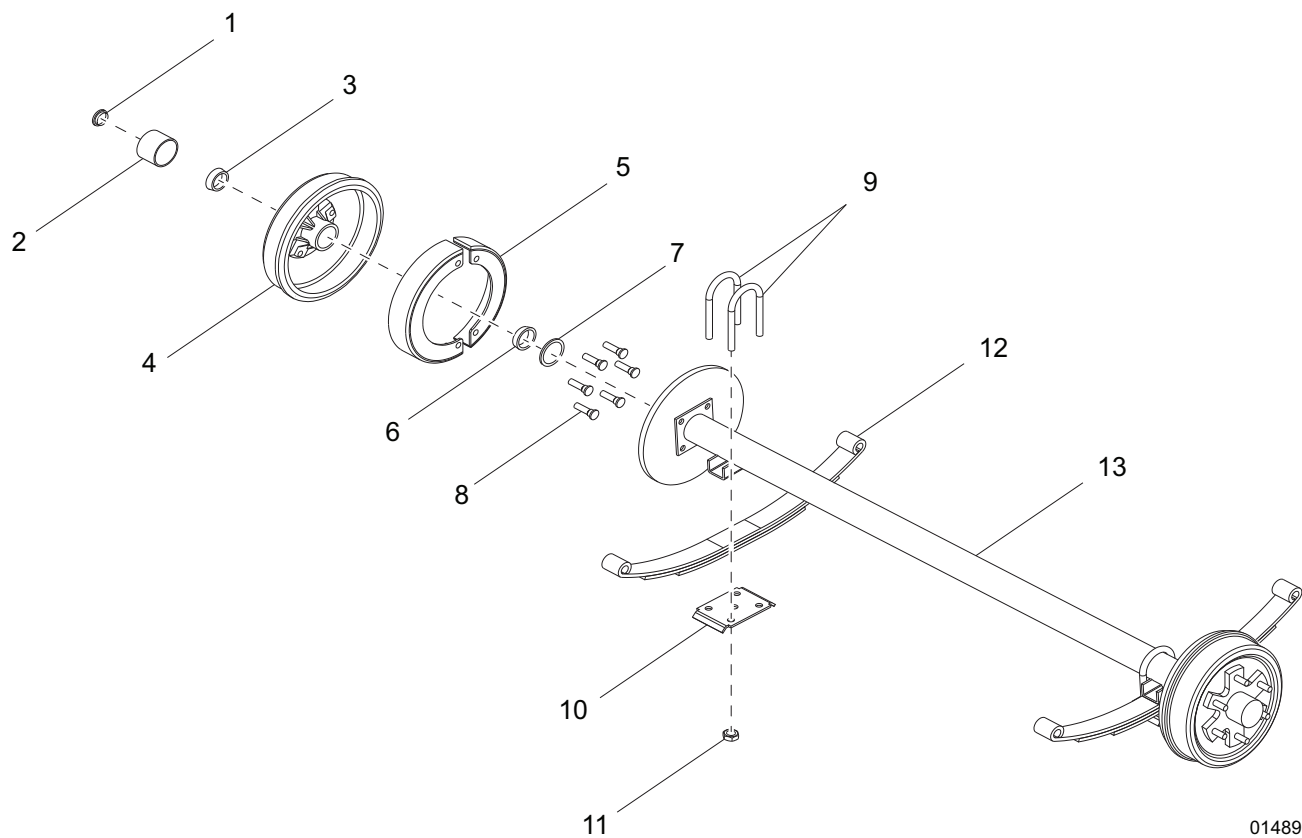
ITEM	PART NO.	QTY	DESCRIPTION	NOTES
1	11254	2	Plug, grease cap - for zerk	
2	23170	2	Cap, grease w/rubber plug	
3	26585	2	Outer hub bearing	
4	40958	2	Hub/brake drum	
5	26571	1	Assembly, surge brake - left	
	26572	1	Assembly, surge brake - right	
6	26576	2	Inner hub bearing	
7	26575	2	Inner grease seal 2.25 in	
8	60963	12	Stud, wheel - .500-20	
9	40875	4	U-bolt	
10	40874	2	Tie plate	
11	11203	8	Nut (U-bolt)	
12	27137	2	Spring, 6000 lb axle	
13	27135	1	Axle, 6000 lb surge	

### OPTIONAL FEATURES

#### *Electric Brakes:*

--	26573	1	Assembly, electric brake - left
--	26574	1	Assembly, electric brake - right
--	27136	1	Axle, 6000 lb electric

# AXLE ASSEMBLY - TANDEM



01489

## AXLE ASSEMBLY - TANDEM

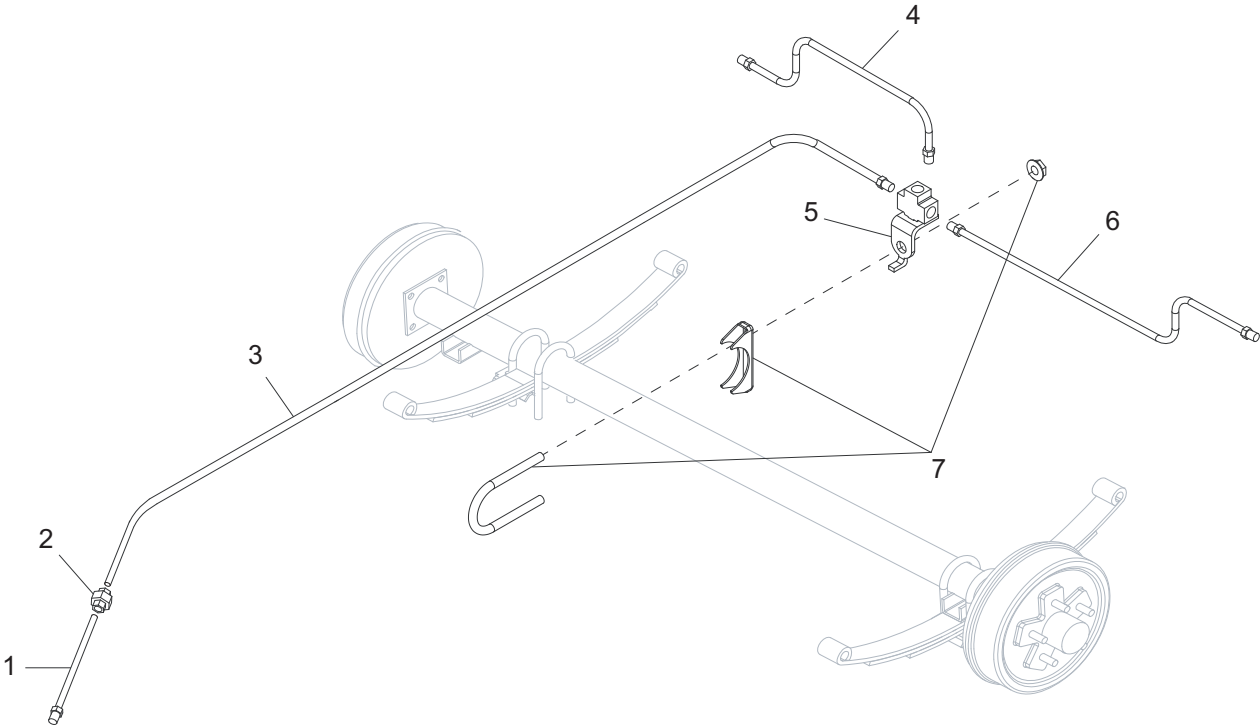
ITEM	PART NO.	QTY	DESCRIPTION	NOTES
1	11254	4	Plug, grease cap - for zerk	
2	11253	4	Cap, grease w/rubber plug 3500 lb	
3	40956	4	Outer bearing	
4	12311	4	Brake drum - 10 in. 5 on 4.5 in	
5	40764	2	Assembly, 10 in. surge brake - left	
	40765	2	Assembly, 10 in. surge brake - right	
6	40954	4	Inner bearing	
7	12307	4	Bearing seal DL350	
8	60674	20	Stud, wheel -.500-20, G8	
9	11277	8	U-bolt 3500 lb	
10	11278	4	Tie plate 3500 lb	
11	11203	16	Nut (U-bolt)	
12	26665	4	Spring - 27 in. 3500 lbs	
13	23100	2	Axle, 3500 lb surge - tandem	

### OPTIONAL FEATURES

#### *Electric Brakes:*

--	26442	2	Assembly, 10 in. electric brake - left
--	26443	2	Assembly, 10 in. electric brake - right
--	23101	2	Axle, 3500 lb electric - tandem

**TRAILER BRAKE LINES - SINGLE AXLE**

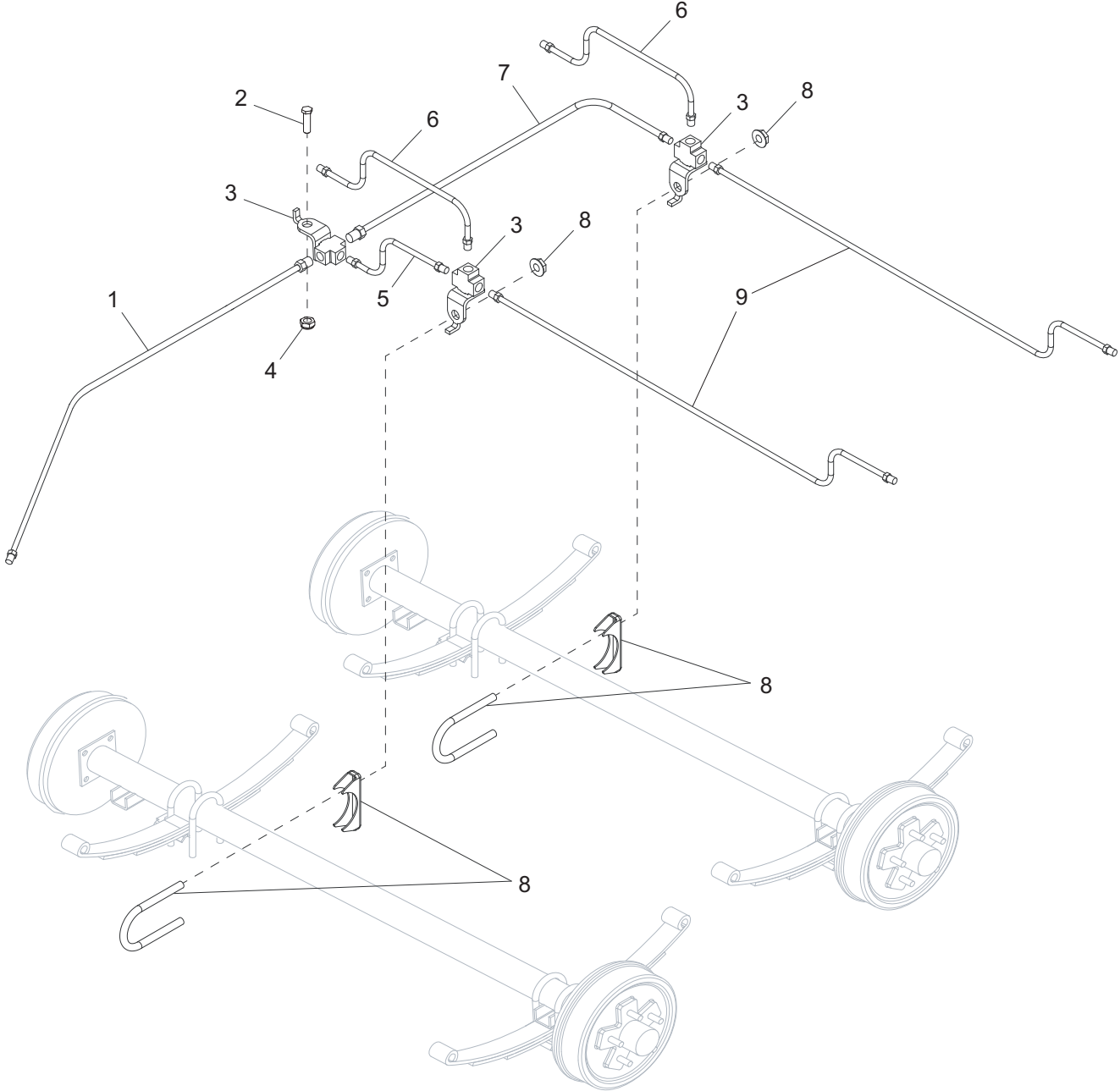




## TRAILER BRAKE LINES - SINGLE AXLE

ITEM	PART NO.	QTY	DESCRIPTION	NOTES
1	23572	1	Hose, brake - .188 x 15.0	Male/male
2	22339	1	Fitting, strt - .188 brake line coupler	
3	23250	1	Hose, brake - .188 x 94.0	Male/male
4	40495	1	Line, brake - .188 x 20.0	
5	19252	1	Fitting, strt - .188 brake line T w/bracket	All female
6	40493	1	Line, brake - .188 x 40.0	
7	61028	1	Clamp, muffler - 2.50 lt duty	

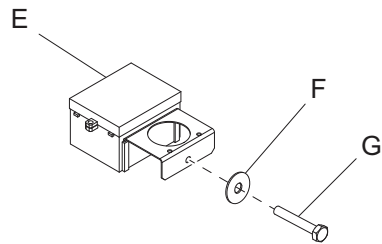
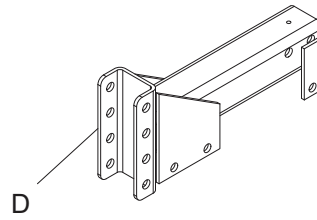
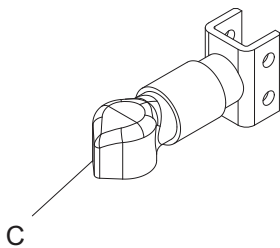
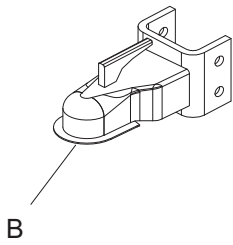
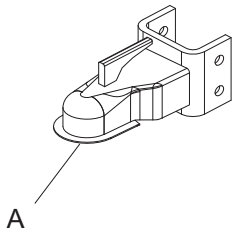
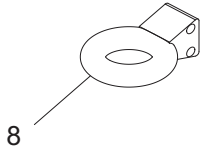
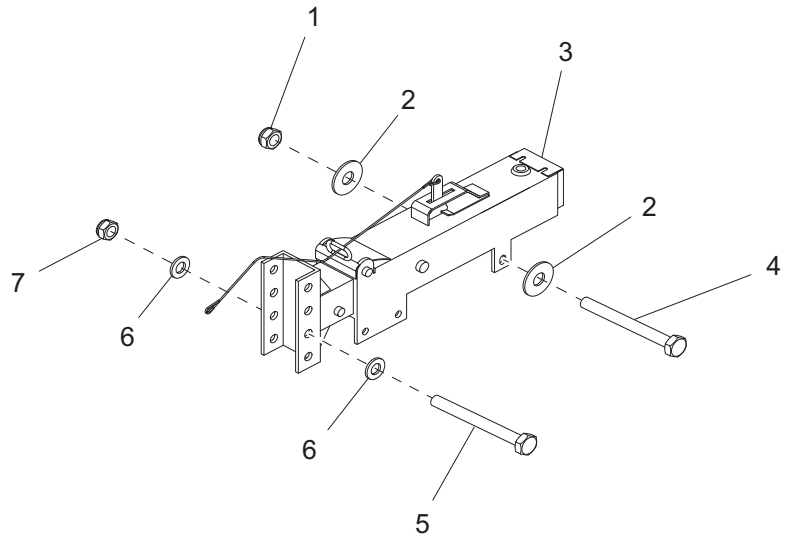
**TRAILER BRAKE LINES - TANDEM AXLE**



## TRAILER BRAKE LINES - TANDEM AXLE

ITEM	PART NO.	QTY	DESCRIPTION	NOTES
1	23250	1	Hose, brake - .188 x 94.0	Male/male
2	60684	1	Screw, .250-20 x .875 std hex, SS	
3	19252	3	Fitting, strt - .188 brake line T w/bracket	All female
4	60144	1	Nut, .250-20 nylock, G5	
5	23572	1	Hose, brake - .188 x 15.0	Male/male
6	40495	4	Line, brake - .188 x 20.0	
7	40817	1	Hose, brake - .188 x 33.0	
8	61028	2	Clamp, muffler - 2.50 lt duty	
9	40493	2	Line, brake - .188 x 40.0	

# TRAILER HITCH OPTIONS



## TRAILER HITCH OPTIONS

ITEM	PART NO.	QTY	DESCRIPTION	NOTES
1	62221	3	Nut, .500-13 nylock, G5	
2	60309	6	Washer, .500 flat 1.060/.090	
3	40529	1	Actuator, hydraulic surge brake - adjustable, 7500 lb	
4	60376	3	Screw, .500-13 x 4.50 std hex, G5	
5	60239	2	Screw, .625-11 x 5.0 std hex, G5	
6	60193	4	Washer, M16 flat	
7	60240	2	Nut, .625-11 nylock, G5	
8	19335B	1	Coupler, lunette ring - 3.0 ID adjustable, 20000 lb	

### OPTIONAL FEATURES

A	19518	1	Coupler, 2.00 ball - adjustable
B	19519	1	Coupler, 2.31 ball - adjustable, 20000 lb
C	41795	1	Coupler, 2.31 bulldog - adjustable, 12500 lb
<i>Electric Brakes:</i>			
D	19379B	1	Weldment, hitch electric - 4 pos. adjustable
E	19417	1	Kit, breakaway
F	60193	1	Washer, M16 flat
G	60239	1	Screw, .625-11 x 5.0 std hex, G5

## RECOMMENDED SPARE PARTS LIST

### ENGINE

Alternator .....	23346
Belt, fan .....	27016
Cap, engine oil fill (w/gasket).....	22375
Cap, fuel fill (w/gasket) .....	18648
Cap, radiator .....	19219
Dipstick/oil cap.....	26600
Element, air filter.....	26722
Element, OVR filter .....	24552
Filter, oil .....	26817
Filter, fuel - kit (primary & final).....	32911
Filter, fuel - final .....	26236
Filter, fuel - primary .....	26597
Hose, radiator - lower .....	26295
Hose, radiator - upper.....	26468
Jug, overflow - 2.5 qt .....	24952
Sensor, low coolant .....	30942
Starter.....	26818
Thermostat - engine.....	24061

### ELECTRICAL

Breaker, 20A/240V, 1-pole.....	18091
Breaker, 300A, 12-24VDC .....	65372
Breaker, 50A/240V, 2-pole.....	18092
Controller, programmed - MMG75, MMG75CAN.....	66204
Controller, programmed - MMG75CAN6 .....	67100
Lug, terminal.....	65344
Receptacle, 120V/20A GFI.....	14130
Receptacle, 120/240V 50A twist-lock .....	18089
Regulator, voltage - SE 350.....	18556
Relay, 65A SPST 12VDC ignition solenoid.....	18081
Switch, battery disconnect - option.....	21489
Switch, E-stop assembly. - 2 NO/1 NC .....	22550
Switch, lockout.....	18111
Switch, phase - 125A, 3 pos .....	65500
Switch, phase - 125A - Option: 4 pos .....	65667
Switch, toggle - 20A VAC.....	25077

### TRAILER

Chain, safety, 7800 lb rated .....	23367
Jack, side wind - 2000 lb .....	11978
Light, stop/turn/tail - left .....	65449
Light, stop/turn/tail - right .....	65448



REV: F  
PART NO: 26678  
06.15.15